

LONDON TECH WEEK





PALESTINIAN PAVILLION



POSTER

TV

POSTER

POSTER

Jaffa.Net

Radix Technologies

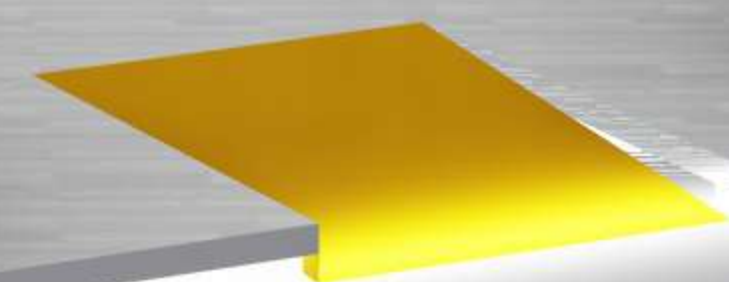
Unine Group

Al-Andalus Software Development

Resolution Technology

Business Alliance

AHD Technology





POSTER

Radix Technologies

Al-Andalus Software Development

POSTER

Unit One Group

POSTER

Business Alliance

AHD Technology

POSTER

PALESTINIAN PAVILLION

UK Palestinian Tech HUB

TASDEER



ASD

business alliance



POSTER

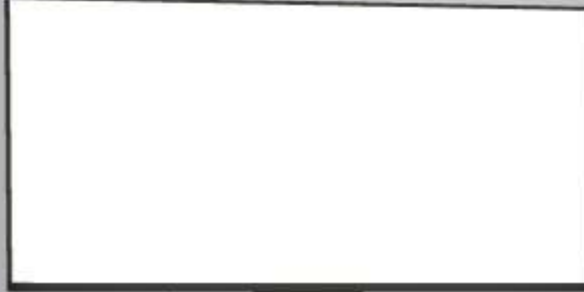
POSTER



PALESTINIAN PAVILLION



Radix Technologies



Al-Andalus Software Development



TV

POSTER

Business Alliance



AHD Technology





PALESTINIAN PAVILLION



POSTER

TV

POSTER

POSTER

POSTER

POSTER

Jaffa.Net Software

Unit One Group

Resolution Technology

Foothill Technology Solutions

Radix Technologies

Al-Andalus Software Development

Business Alliance

AHD Technology









PALESTINIAN PAVILLION



POSTER

TV

POSTER

Jaffa.Net Software

Unit One Group

Resolution Technology

Foothill Techno Solutions

POSTER



PALESTINIAN PAVILLION



POSTER

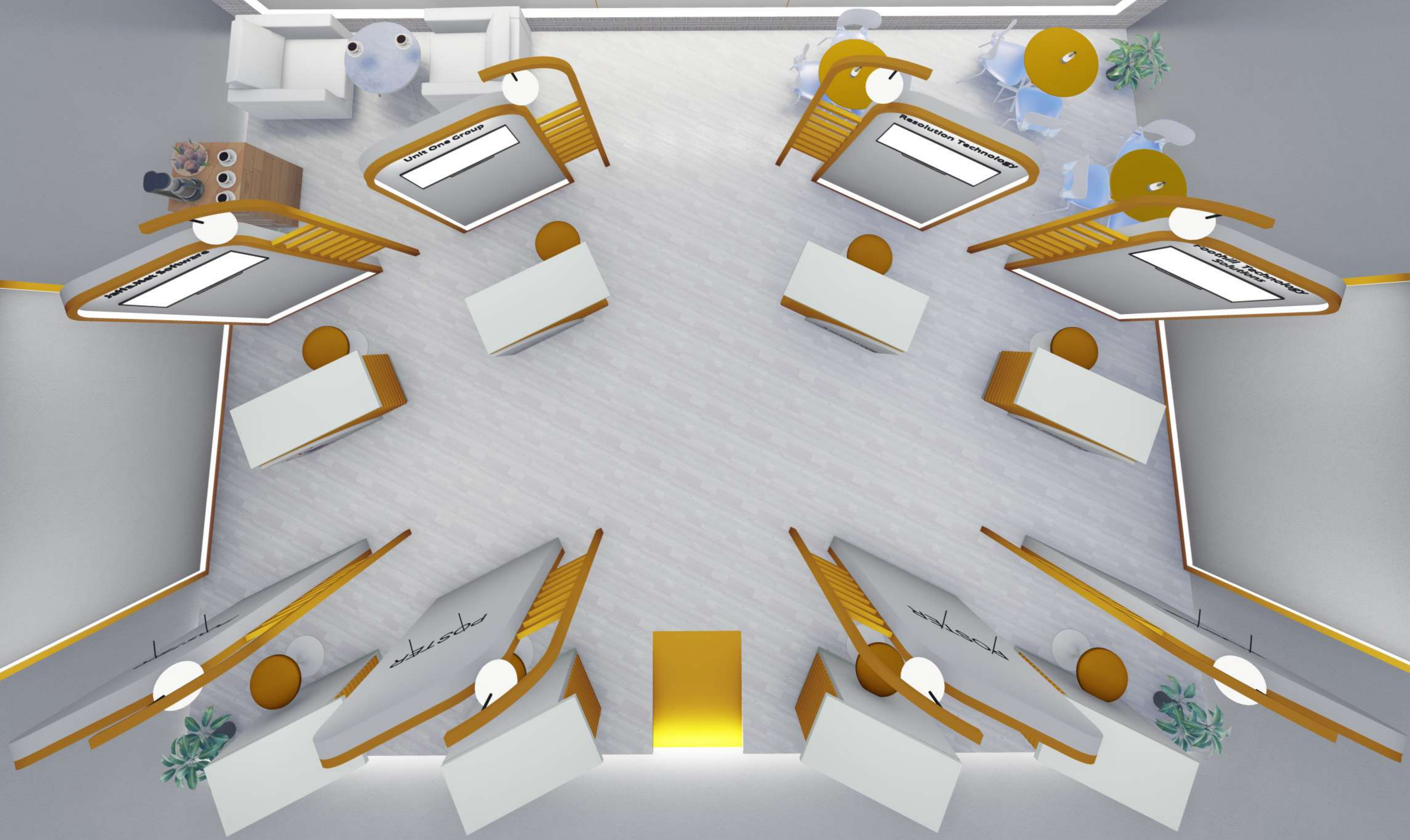
TV

POSTER

POSTER

POSTER

POSTER





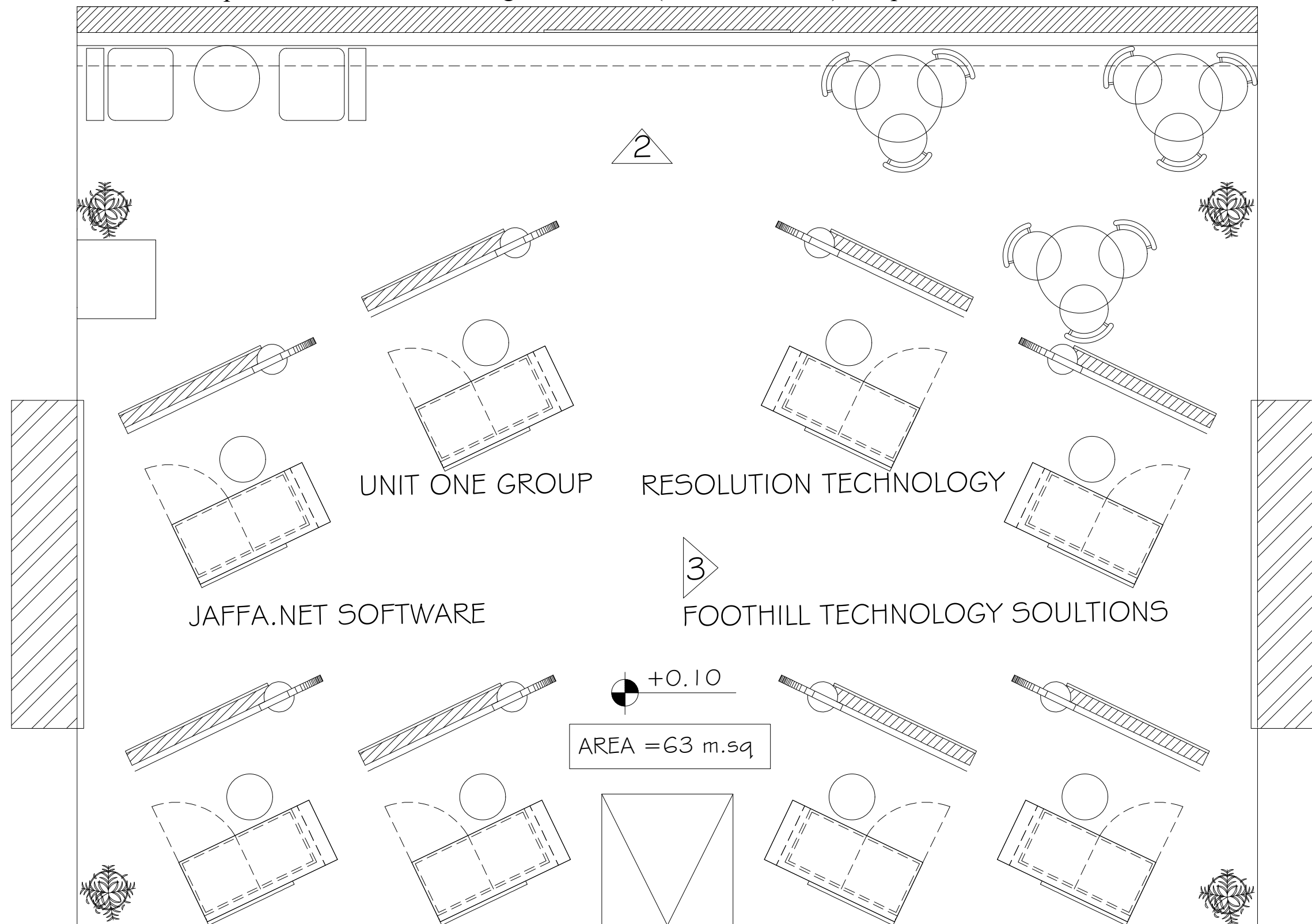
Color Code : f5aa19



Wooden floor white parquet

FLOOR PLAN- order of companies

20 cm partition with led hidden light and frame (10 cm thickness) and posters within the frame



A.E.G

Design, Construction Management,
Urban Planning & Restoration

54-Jerusalem Hebron Street
P.O.Box 374
Tel: 2777114, Fax: 2777115
Info@aeg-eng.com

PROJECT :

London Tech week

PROJECT LOCATION :

London

OWNER :

Paltrade

DESIGN BY:

Arch. Nawal Khair

DRAWN BY: Arch. Nawal Khair

CHECKED BY: Arch. Elias Dieck

APPROVED BY: Technical Manager :
Arch. Elias Dieck
General Manager :
Civil Eng. Nejib Nasser

DRAWING TITLE:

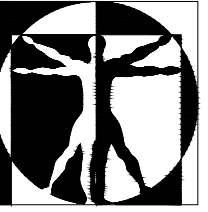
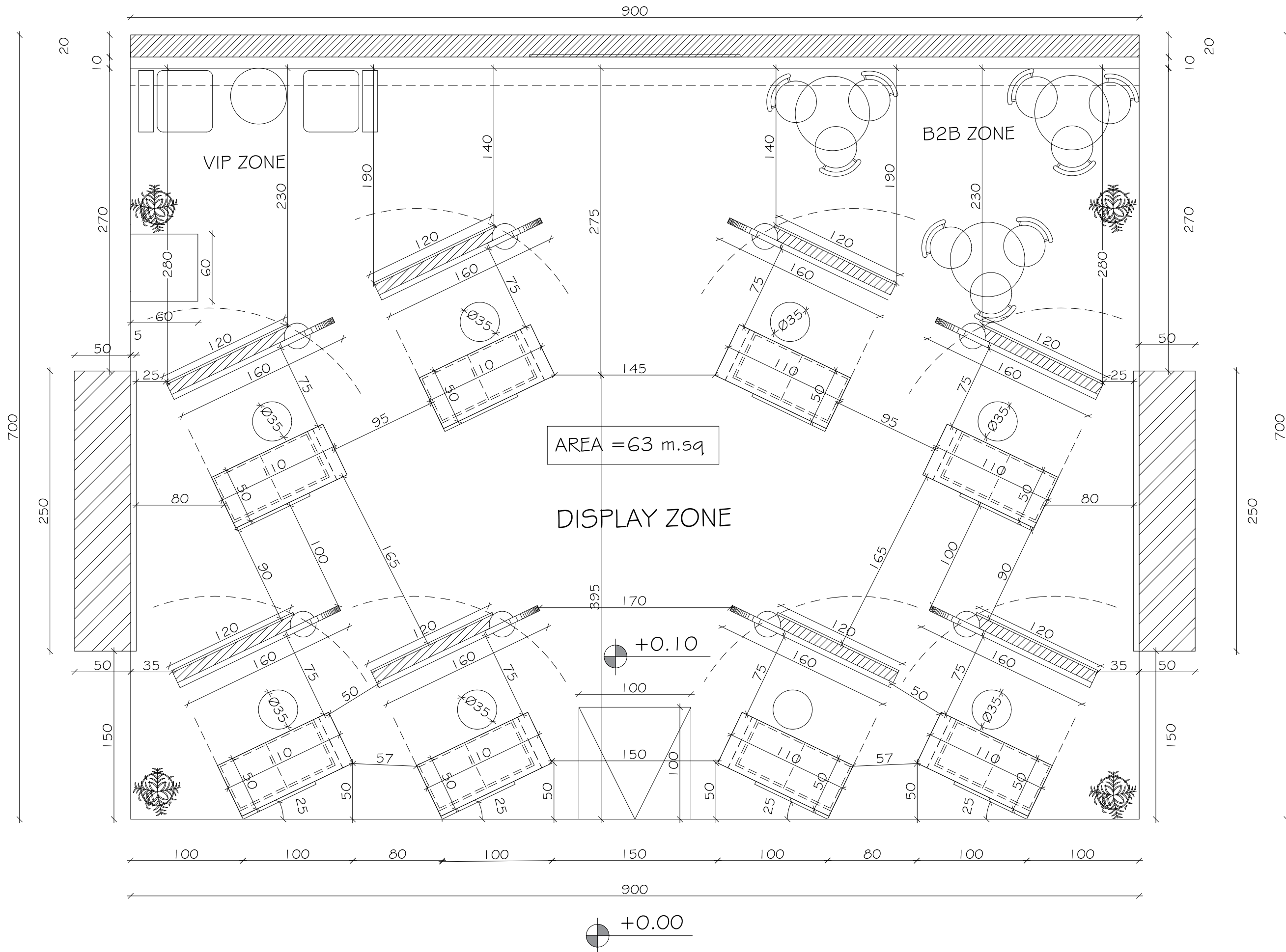
**FLOOR PLAN
ORDER OF COMPANIES**

DRAWING SCALE:

REVISIONS

PLOT DATE: MAY 2023

FLOOR PLAN- Dimensions



A.E.G

Design, Construction Management,
Urban Planning & Restoration

54-Jerusalem Hebron Street
P.O.Box 374
Tel: 2777114, Fax: 2777115
Info@aeg-eng.com

PROJECT :

London Tech week

PROJECT LOCATION :

London

OWNER :

Paltrade

DESIGN BY:

Arch. Nawal Khair

DRAWN BY: Arch. Nawal Khair

CHECKED BY: Arch. Elias Dieck

APPROVED BY: Technical Manager :

Arch. Elias Dieck

General Manager :

Civil Eng. Nejib Nasser

DRAWING TITLE:

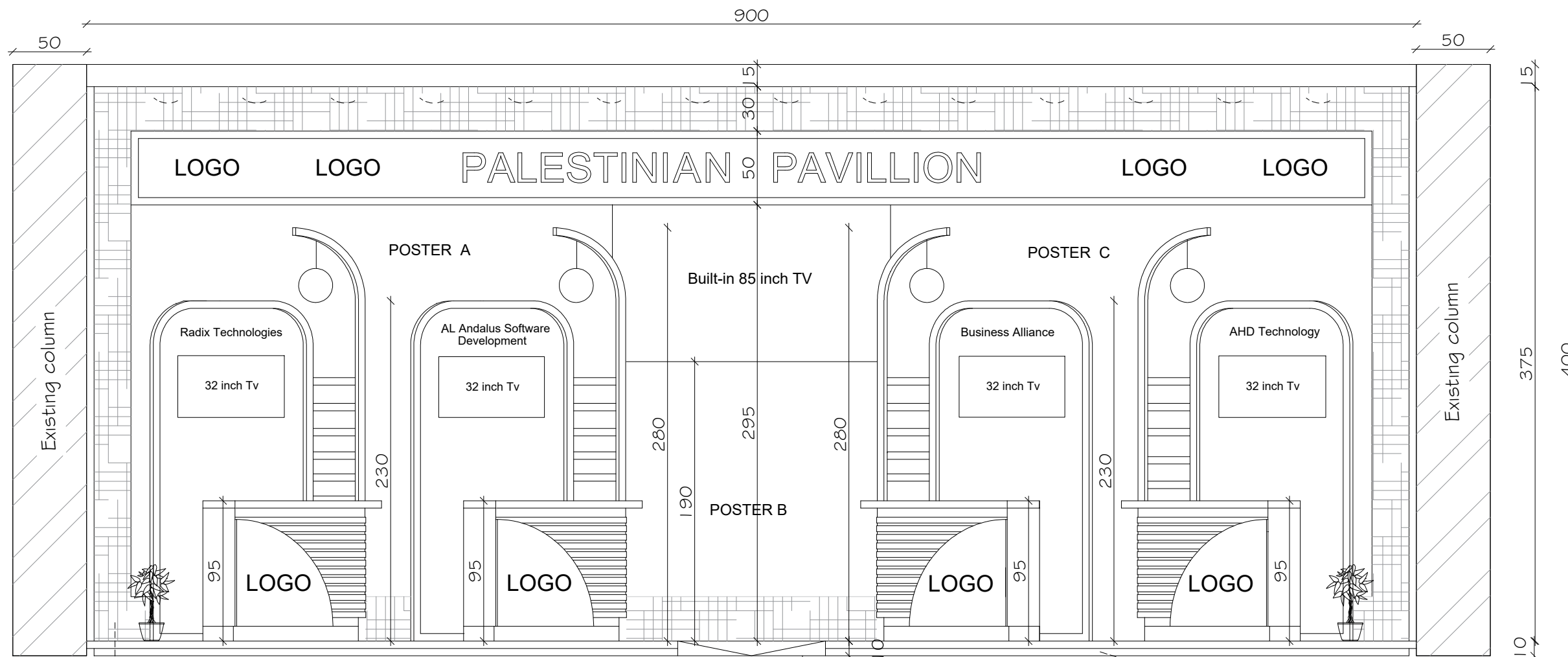
**FLOOR PLAN
DIMENSION**

DRAWING SCALE: **1:50**

REVISIONS

PLOT DATE: MAY 2023

ELEVATION 1



Palestinian embroidery sticker on a 30 cm wide / 10 cm thick frame with hidden light

100 Cm X 100 Cm ramp for people of determination

Led Light Around Raised Platform As shown in 3d



A.E.G

Design, Construction Management,
Urban Planning & Restoration

54-Jerusalem Hebron Street
P.O.Box 374
Tel: 2777114, Fax: 2777115
Info@aeg-eng.com

PROJECT :

London Tech week

PROJECT LOCATION :

London

OWNER :

Paltrade

DESIGN BY:

Arch. Nawal Khair

DRAWN BY: Arch. Nawal Khair

CHECKED BY: Arch. Elias Dieck

APPROVED BY:

Technical Manager :

Arch. Elias Dieck

General Manager :

Civil Eng. Nejib Nasser

DRAWING TITLE:

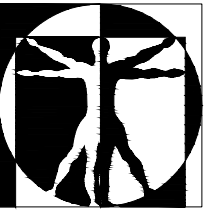
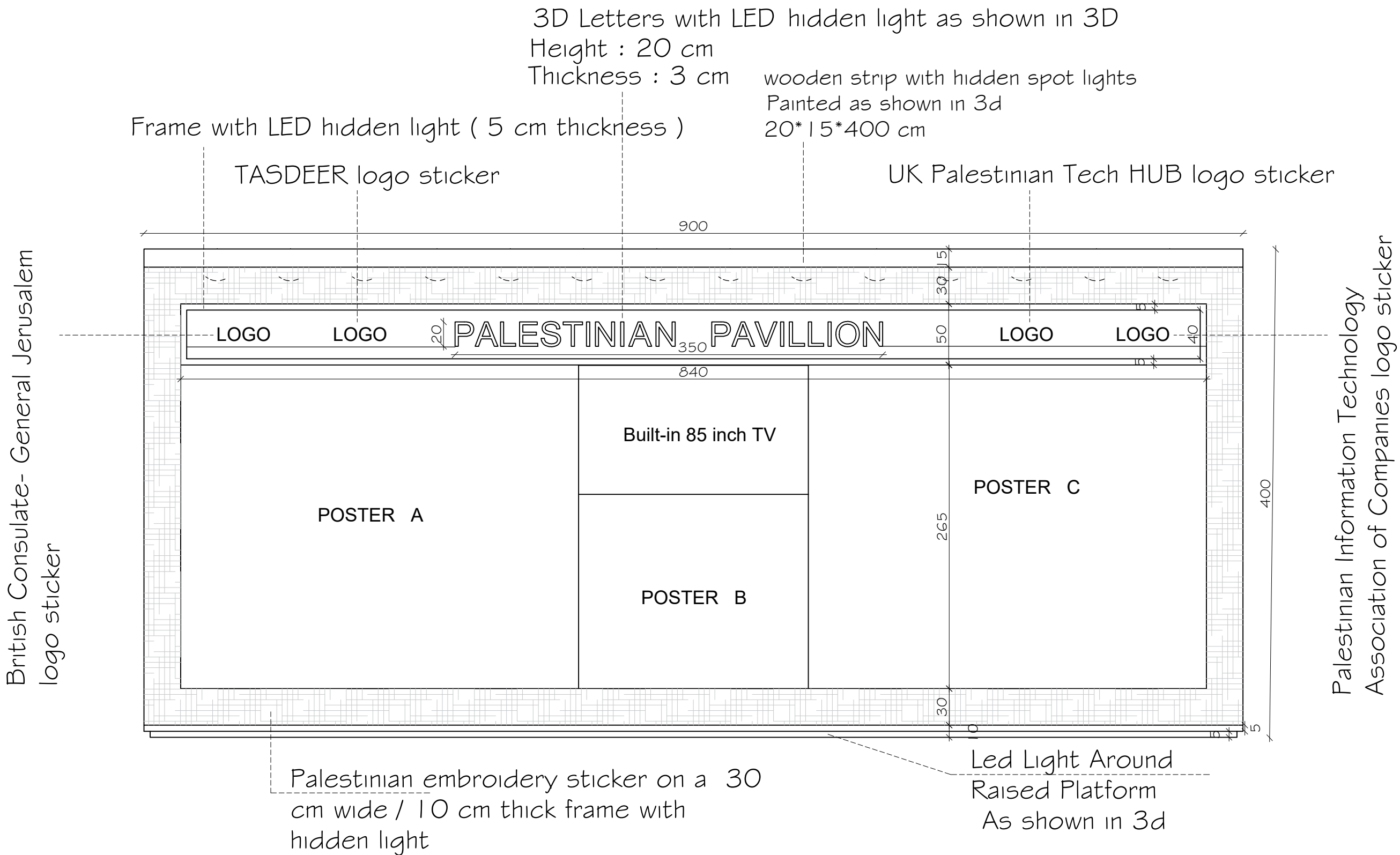
ELEVATION 1

PLOT DATE: MAY 2023

REVISIONS

--	--	--	--	--

ELEVATION 2 (Banner Detail)



A.E.G

Design, Construction Management,
 Urban Planning & Restoration

54- Jerusalem Hebron Street
 P.O.Box 374
 Tel: 2777114, Fax: 2777115
 Info@aeg-eng.com

PROJECT :

London Tech week

PROJECT LOCATION :

London

OWNER :

Paltrade

DESIGN BY:

Arch. Nawal Khair

DRAWN BY: Arch. Nawal Khair

CHECKED BY: Arch. Elias Dieck

APPROVED BY: Technical Manager :
 Arch. Elias Dieck
 General Manager :
 Civil Eng. Nejib Nasser

DRAWING TITLE:

**ELEVATION 2
 Banner Detail**

PLOT DATE: MAY 2023

REVISIONS

--	--	--	--	--	--

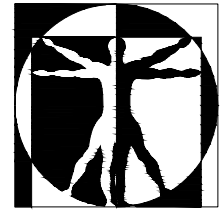
COUNTER - DETAILS

NOTES

- NUMBER OF COUNTERS : 8
- FOR COUNTER USE THERMAL PAINT
- EACH COUNTER HAS ELECTRIC SOCKET
- EACH COUNTER HAS A BAR CHAIR

UNIT ONE GROUP
 JAFFA.NET SOFTWARE
 RADIX TECHNOLOGIES
 AL ANDALUS SOFTWARE DEVELOPMENT

RESOLUTION TECHNOLOGY
 BUSINESS ALLIANCE
 AHD TECHNOLOGY
 FOOTHILL TECHNOLOGY SOLUTIONS



A.E.G

Design, Construction Management,
 Urban Planning & Restoration

54- Jerusalem Hebron Street
 P.O.Box 374
 Tel: 2777114, Fax: 2777115
 Info@aeg-eng.com

PROJECT :

London Tech week

PROJECT LOCATION :

London

OWNER :

Paltrade

DESIGN BY:

Arch. Nawal Khair

DRAWN BY: Arch. Nawal Khair

CHECKED BY: Arch. Elias Dieck

APPROVED BY: Technical Manager :

Arch. Elias Dieck

General Manager :

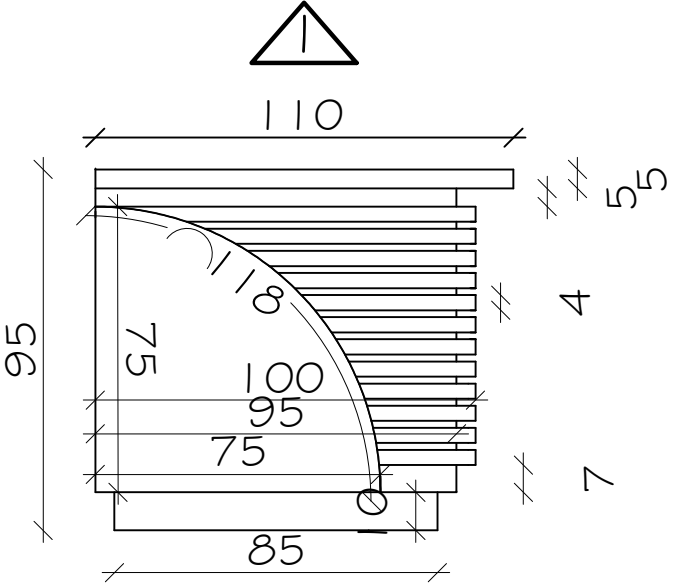
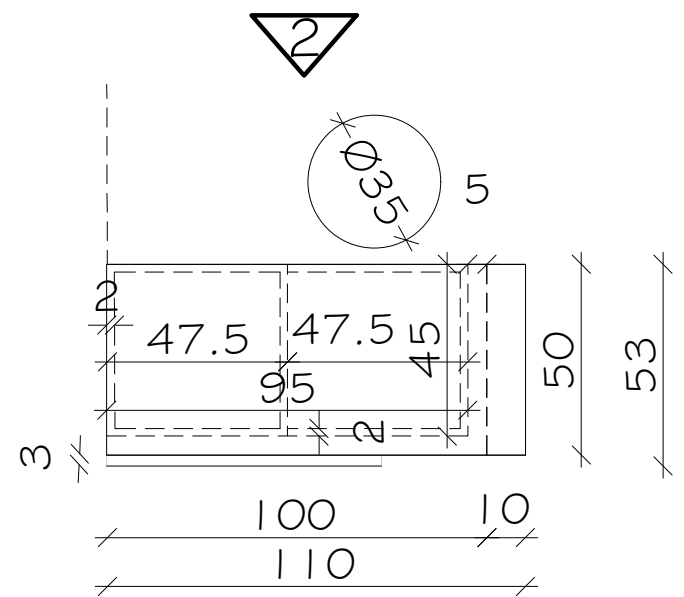
Civil Eng. Nejib Nasser

DRAWING TITLE:

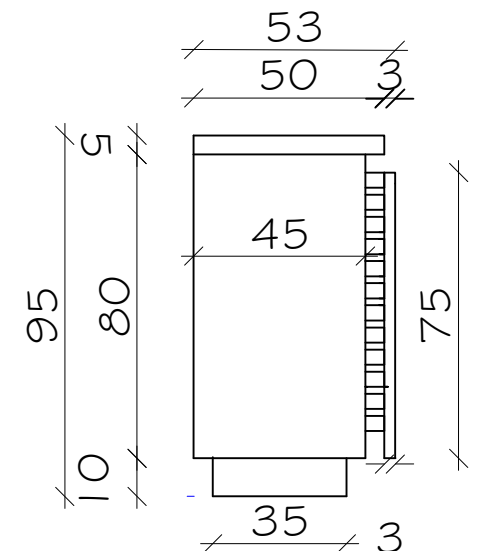
COUNTER - DETAILS

REVISIONS

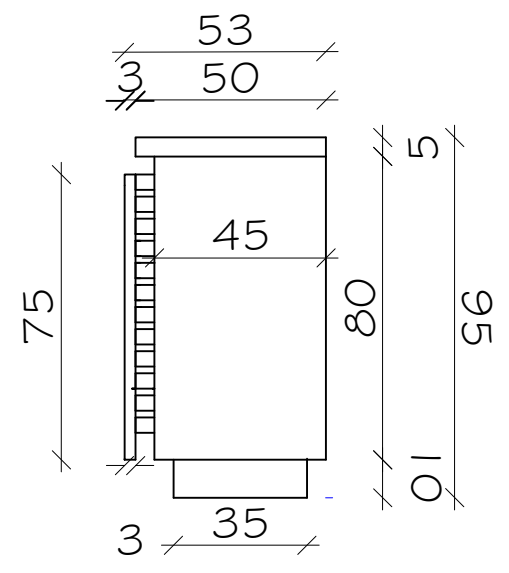
PLOT DATE: MAY 2023



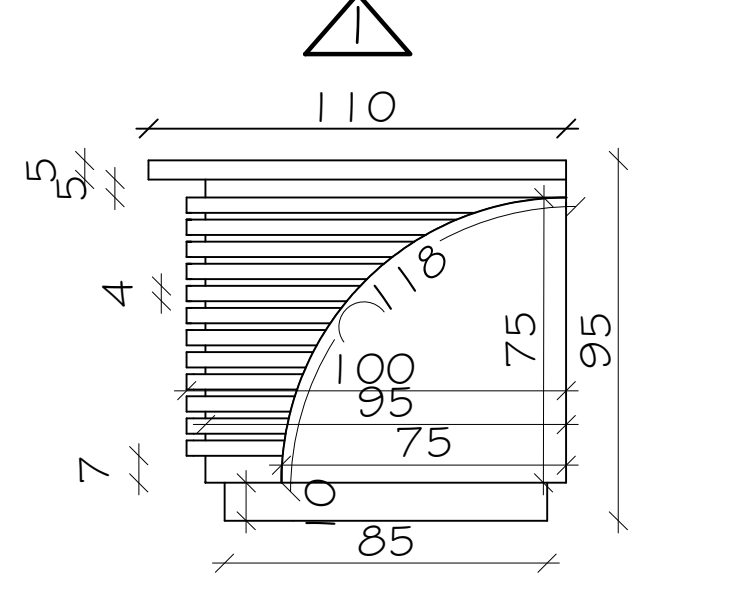
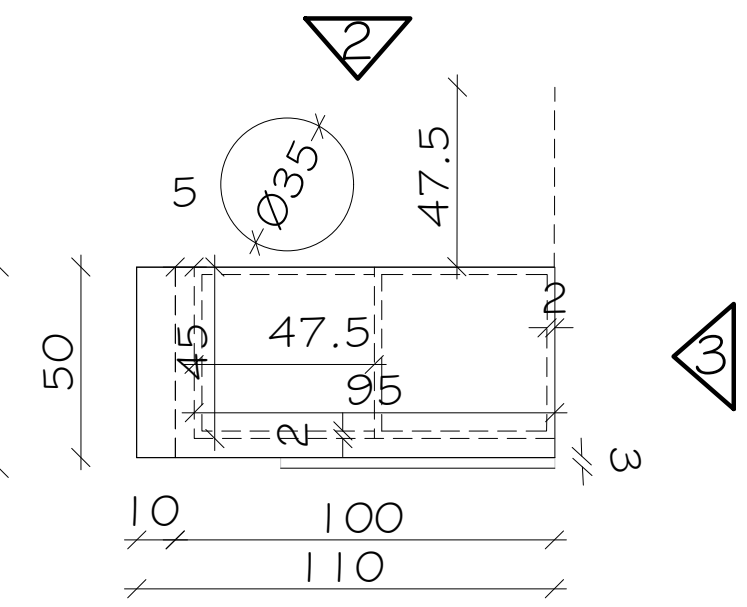
ELEVATION 1



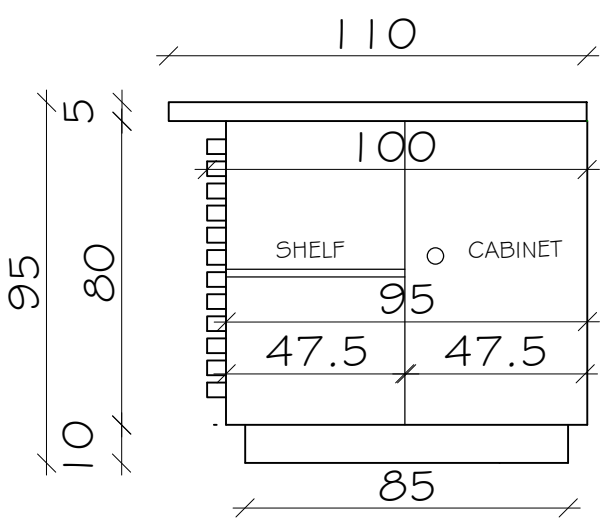
ELEVATION 3



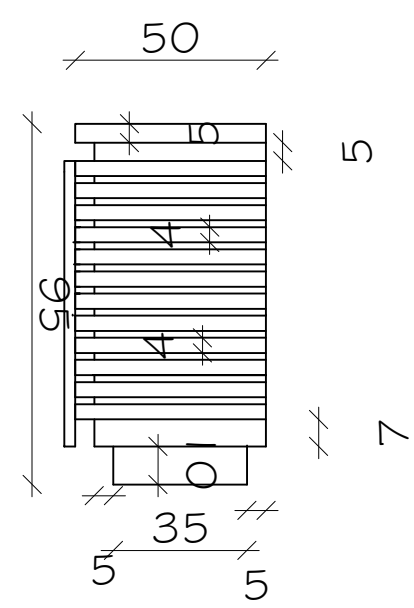
ELEVATION 3



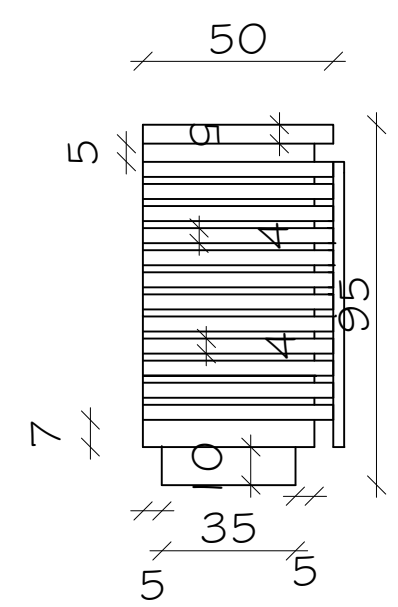
ELEVATION 1



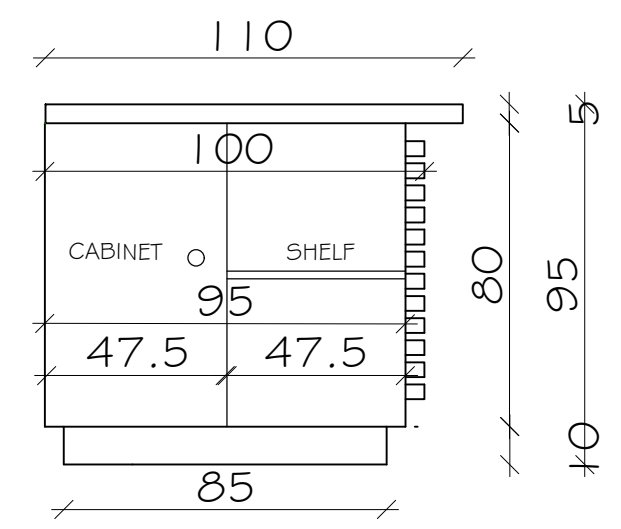
ELEVATION 2



ELEVATION 4



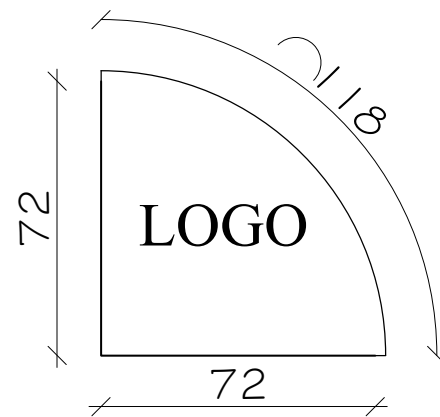
ELEVATION 4



ELEVATION 2

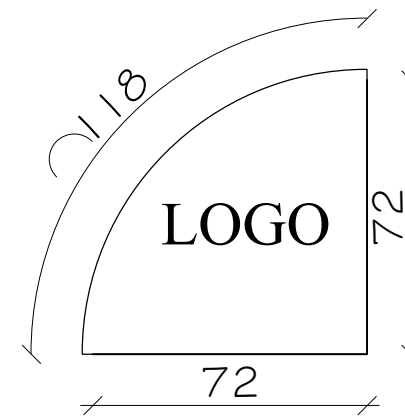
LOGO - BASE DIMESNIONS

RADIX TECHNOLOGIES
 AL ANDALUS
 SOFTWARE DEVELOPMENT
 JAFFA.NET SOFTWARE
 UNIT ONE GROUP

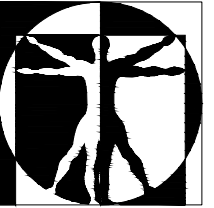


Counter logo sticker on a 3cm cardboard base.

BUSINESS ALLIANCE
 AHD TECHNOLOGY
 RESOLUTION TECHNOLOGY
 FOOTHILL TECHNOLOGY SOULTIONS



Counter logo sticker on a 3cm cardboard base.



A.E.G

Design, Construction Management,
 Urban Planning & Restoration

54-Jerusalem Hebron Street
 P.O.Box 374
 Tel: 2777114, Fax: 2777115
 Info@aeg-eng.com

PROJECT :

London Tech week

PROJECT LOCATION :

London

OWNER :

Paltrade

DESIGN BY:

Arch. Nawal Khair

DRAWN BY: Arch. Nawal Khair

CHECKED BY: Arch. Elias Dieck

APPROVED BY: Technical Manager :
 Arch. Elias Dieck
 General Manager :
 Civil Eng. Nejib Nasser

DRAWING TITLE:

LOGO BASE DIMESNION

REVISIONS

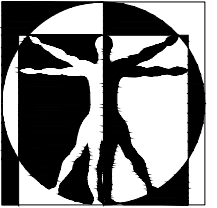
--	--	--	--	--	--

PLOT DATE: MAY 2023

PARTITION - DETAILS

NOTES

NUMBER OF PARTITIONS : 8



A.E.G

Design, Construction Management,
Urban Planning & Restoration

54-Jerusalem Hebron Street
P.O.Box 374
Tel: 2777114, Fax: 2777115
Info@aeg-eng.com

PROJECT :

London Tech week

PROJECT LOCATION :

London

OWNER :

Paltrade

DESIGN BY:

Arch. Nawal Khair

DRAWN BY: Arch. Nawal Khair

CHECKED BY: Arch. Elias Dieck

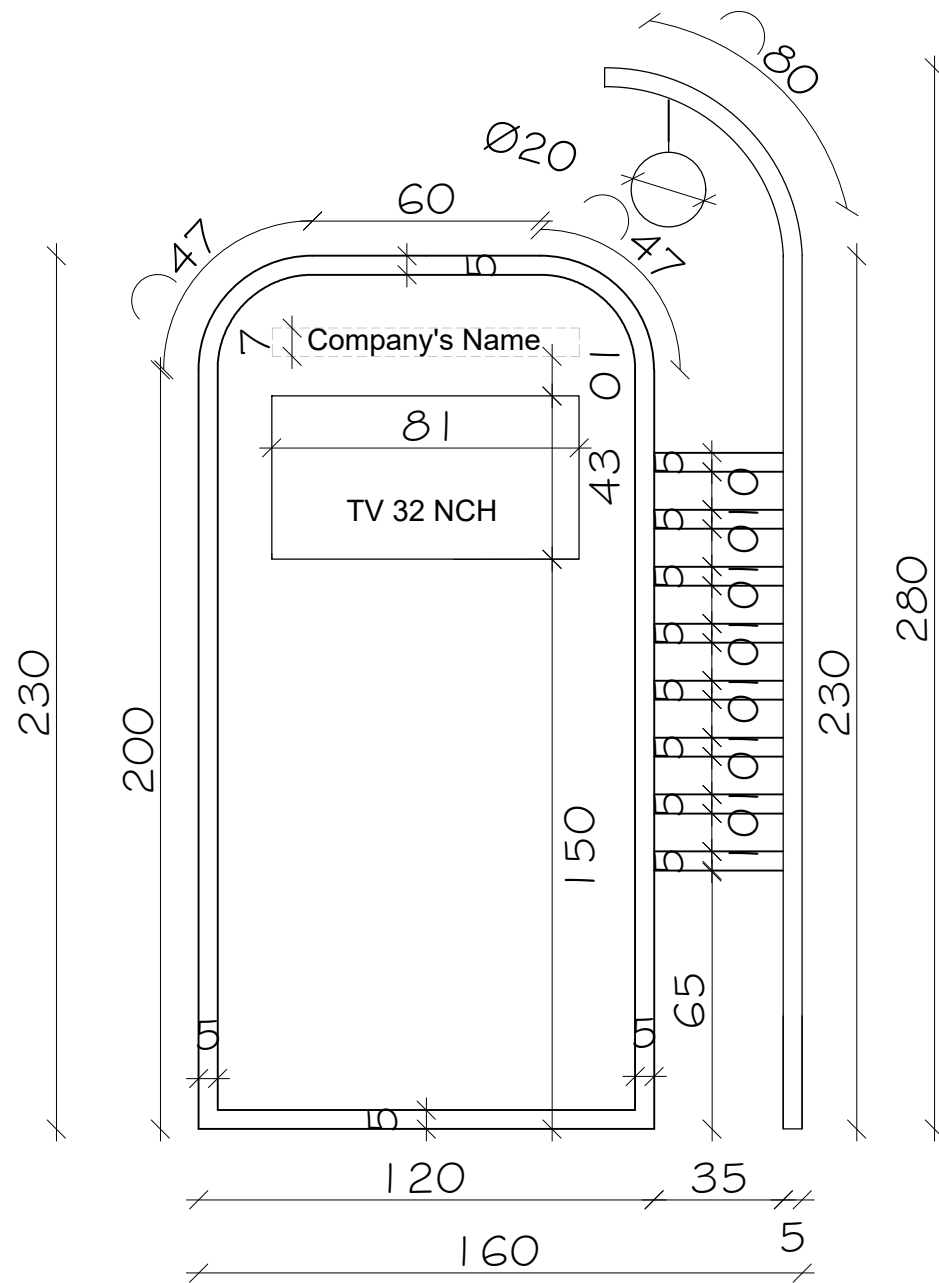
APPROVED BY: Technical Manager :
Arch. Elias Dieck
General Manager :
Civil Eng. Nejib Nasser

DRAWING TITLE:

PARTITION - DETAILS

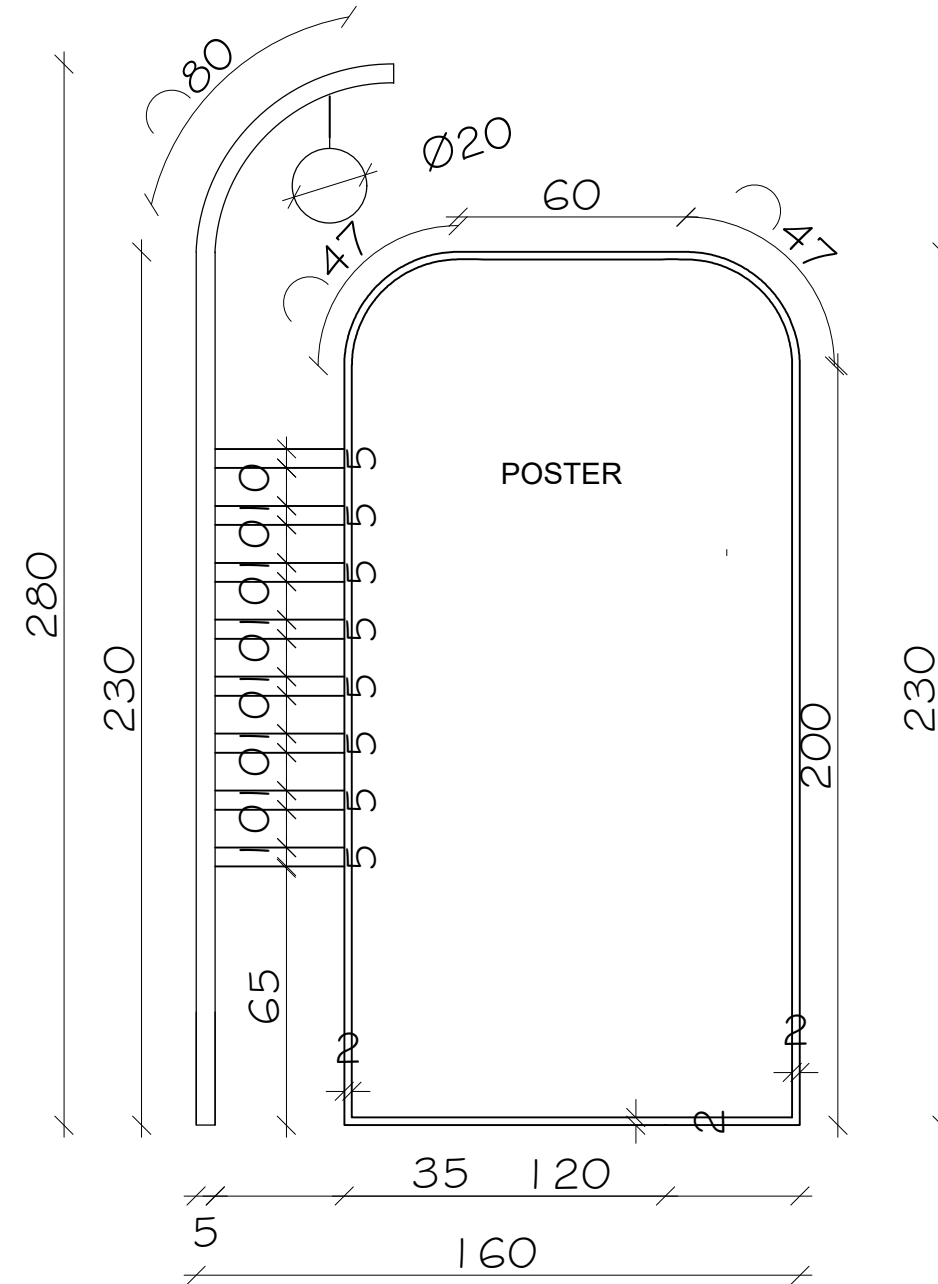
REVISIONS

PLOT DATE: MAY 2023



10 cm partition with led hidden light and frame
(5 cm thickness) with 32 inch TV Screen

PARTITION - FRONT ELEVATION

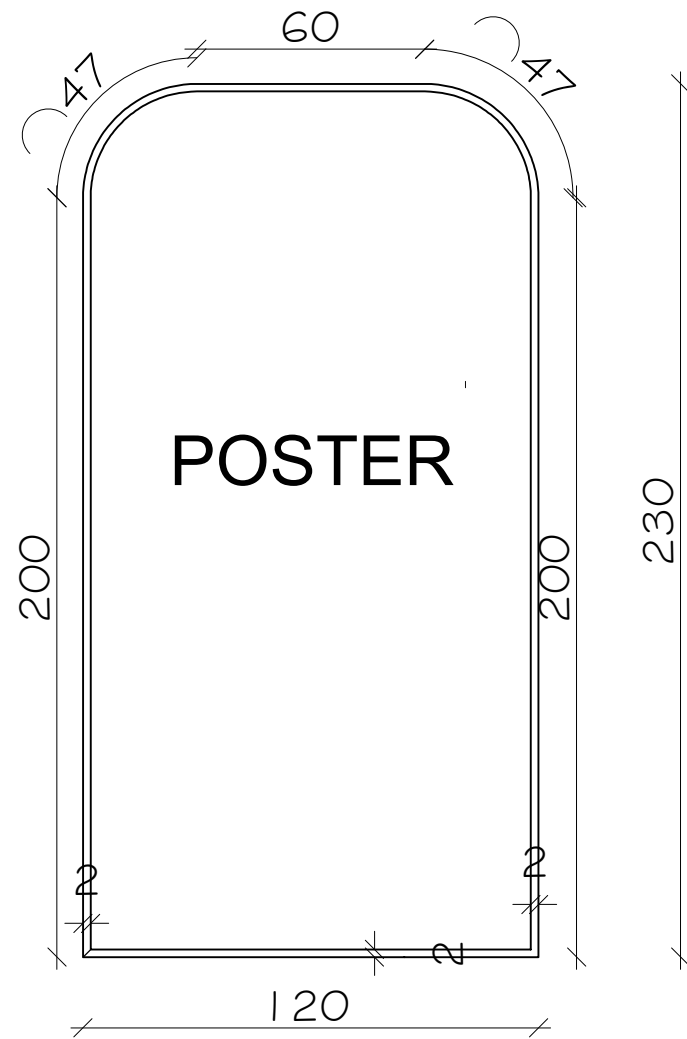


poster with led hidden light and frame
(2cm thickness)

PARTITION - BACK ELEVATION

POSTER DIMENSIONS

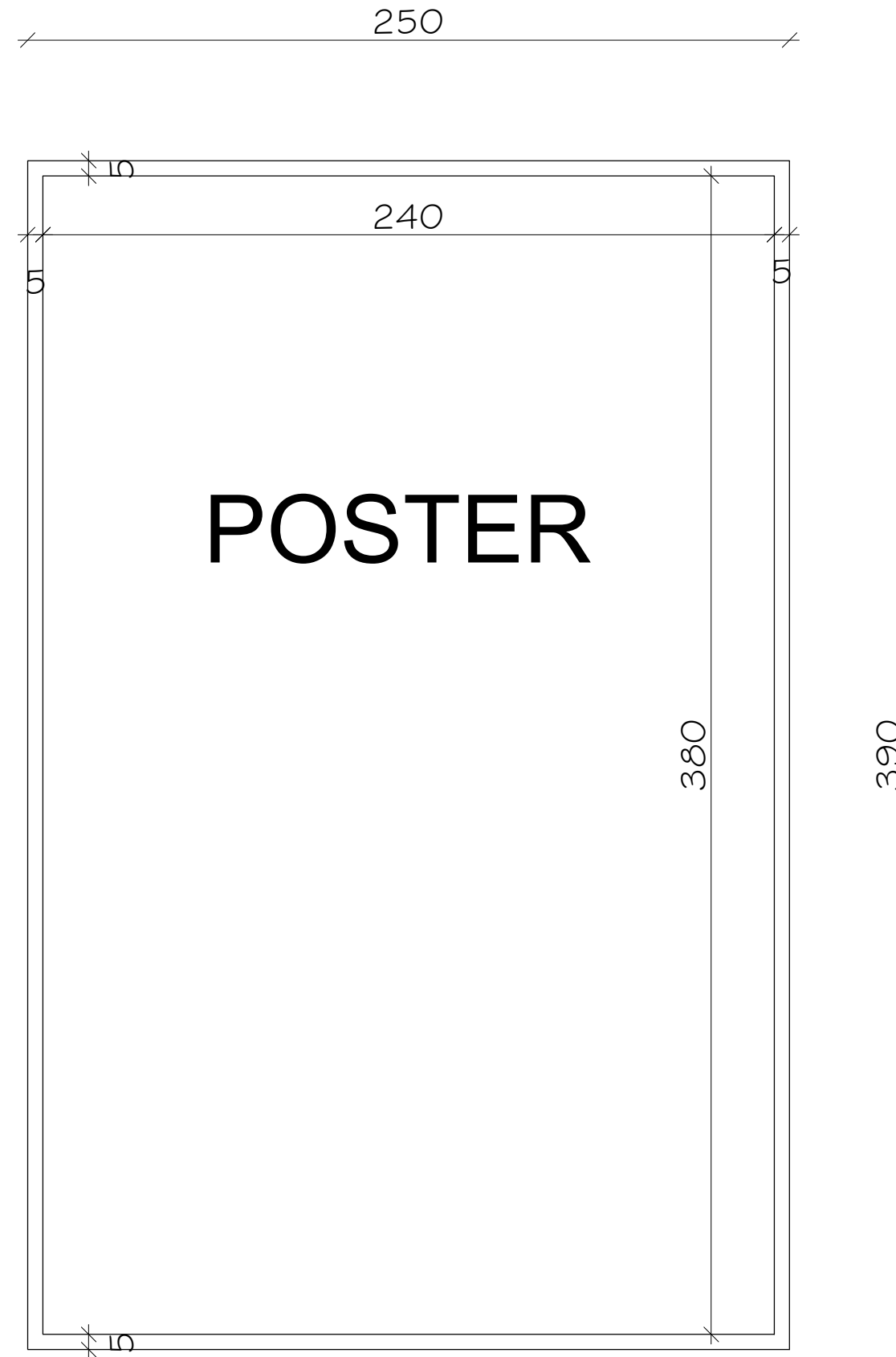
PARTITION - POSTER DIMENSIONS FOR ALL COOMPANIES



Poster with led hidden light and frame (2cm thickness)

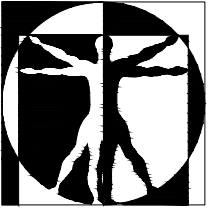
Total : 8 posters (one for each company)

COLUMN - POSTER DIMENSIONS



Poster with led hidden light and frame

Total : 2 posters (one on each column)



A.E.G

Design, Construction Management,
Urban Planning & Restoration

54-Jerusalem Hebron Street
P.O.Box 374
Tel: 2777114, Fax: 2777115
Info@aeg-eng.com

PROJECT :

London Tech week

PROJECT LOCATION :

London

OWNER :

Paltrade

DESIGN BY:

Arch. Nawal Khair

DRAWN BY: Arch. Nawal Khair

CHECKED BY: Arch. Elias Dieck

APPROVED BY: Technical Manager :
Arch. Elias Dieck

General Manager :
Civil Eng. Nejib Nasser

DRAWING TITLE:

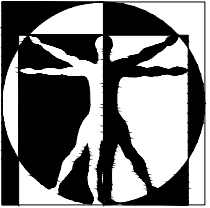
POSTER DIMENSIONS

REVISIONS

PLOT DATE: MAY 2023

POSTER DIMENSIONS

PARTITION - POSTER DIMENSIONS FOR ALL COOMPANIES



A.E.G

Design, Construction Management,
Urban Planning & Restoration

54-Jerusalem Hebron Street
P.O.Box 374
Tel: 2777114, Fax: 2777115
Info@aeg-eng.com

PROJECT :

PROJECT LOCATION :

London

OWNER :

Paltrade

DESIGN BY:

Arch. Nawal Khair

DRAWN BY: Arch. Nawal Khair

CHECKED BY: Arch. Elias Dieck

APPROVED BY:	Technical Manager :
	Arch. Elias Dieck
	General Manager :
	Civil Eng. Nejib Nasser

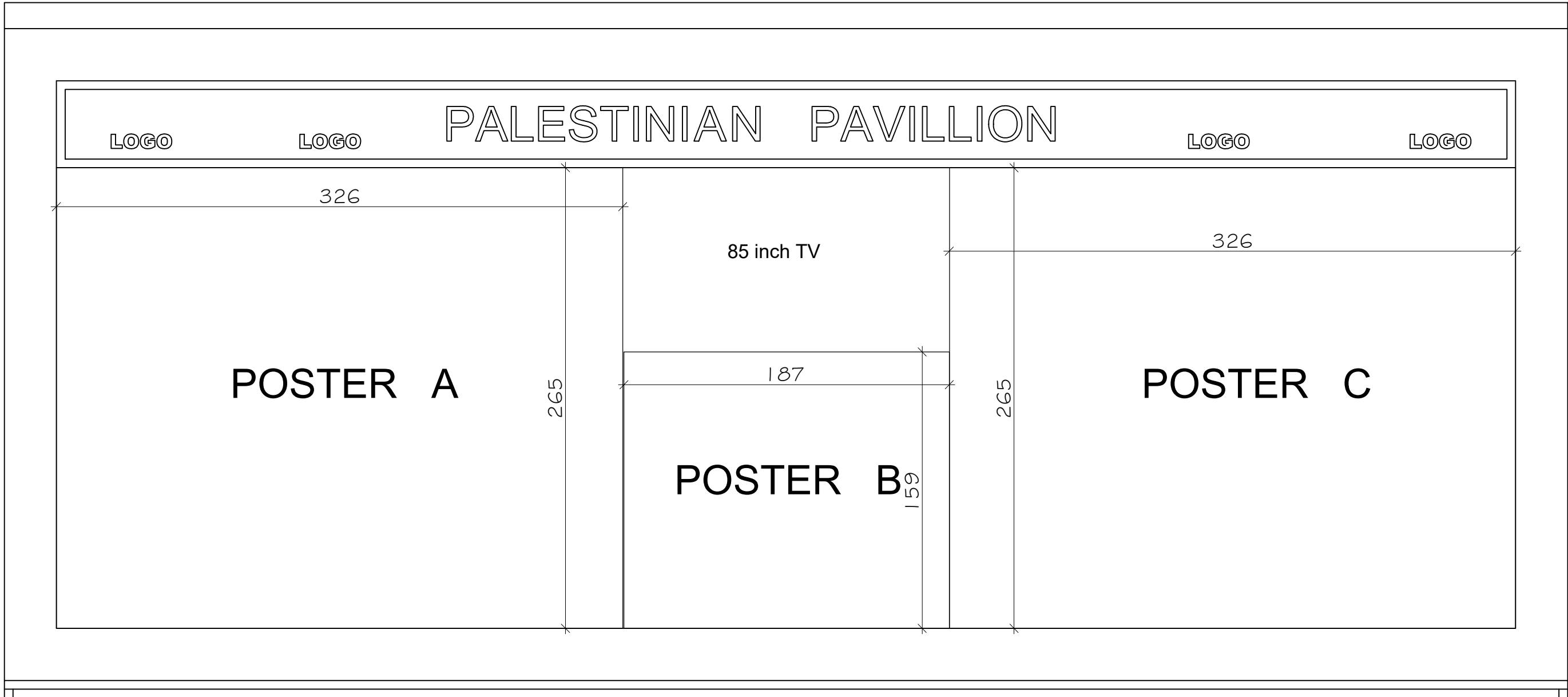
DRAWING TITLE:

POSTER DIMENSIONS

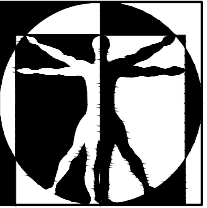
PLOT DATE: MAY 2023

REVISIONS

--	--	--	--	--	--



NOTE: Poster A,B,C is a one unified image but would be printed as 3 posters



A.E.G

Design, Construction Management,
Urban Planning & Restoration

54-Jerusalem Hebron Street
P.O.Box 374
Tel: 2777114, Fax: 2777115
Info@aeg-eng.com

PROJECT :

London Tech week

PROJECT LOCATION :

London

OWNER :

Paltrade

DESIGN BY:

Rimon Hannouneh

DRAWN BY: Rimon Hannouneh

CHECKED BY: Majdi Shomali

APPROVED BY: Technical Manager :
Arch. Elias Dieck
General Manager :
Civil Eng. Nejib Nasser

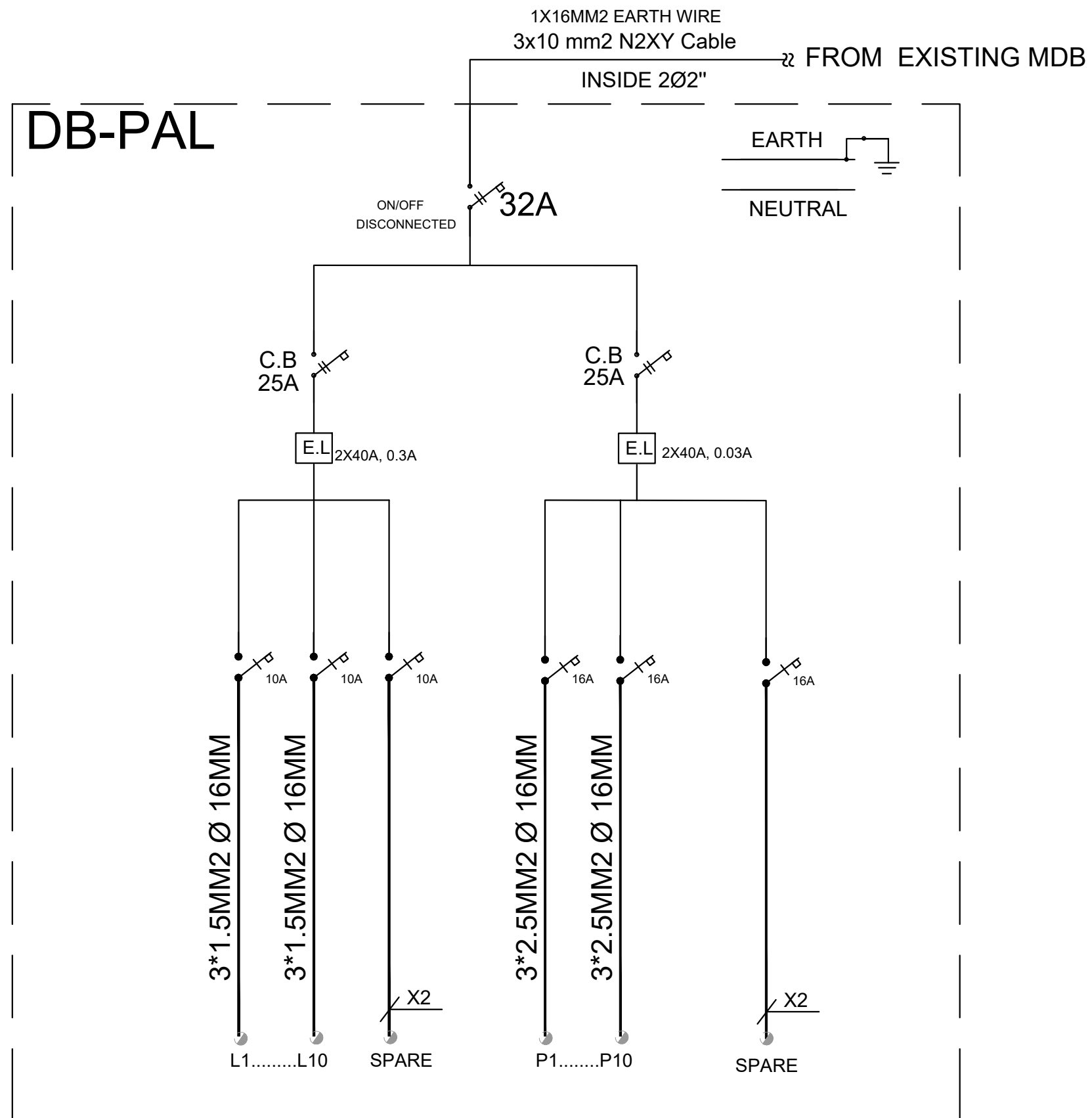
DRAWING TITLE:

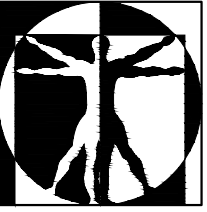
DB-DETAILS

DRAWING SCALE: **N.T.S**

REVISIONS

PLOT DATE: MAY 2023





A.E.G

Design, Construction Management,
Urban Planning & Restoration

54-Jerusalem Hebron Street
P.O.Box 374
Tel: 2777114, Fax: 2777115
Info@aeg-eng.com

PROJECT :

London Tech week

PROJECT LOCATION :
London

OWNER :
Paltrade

DESIGN BY:

Rimon Hannouneh

DRAWN BY: Rimon Hannouneh

CHECKED BY: Majdi Shomali

APPROVED BY: Technical Manager :
Arch. Elias Dieck
General Manager :
Civil Eng. Nejb Nasser

DRAWING TITLE:

POWER LAYOUT

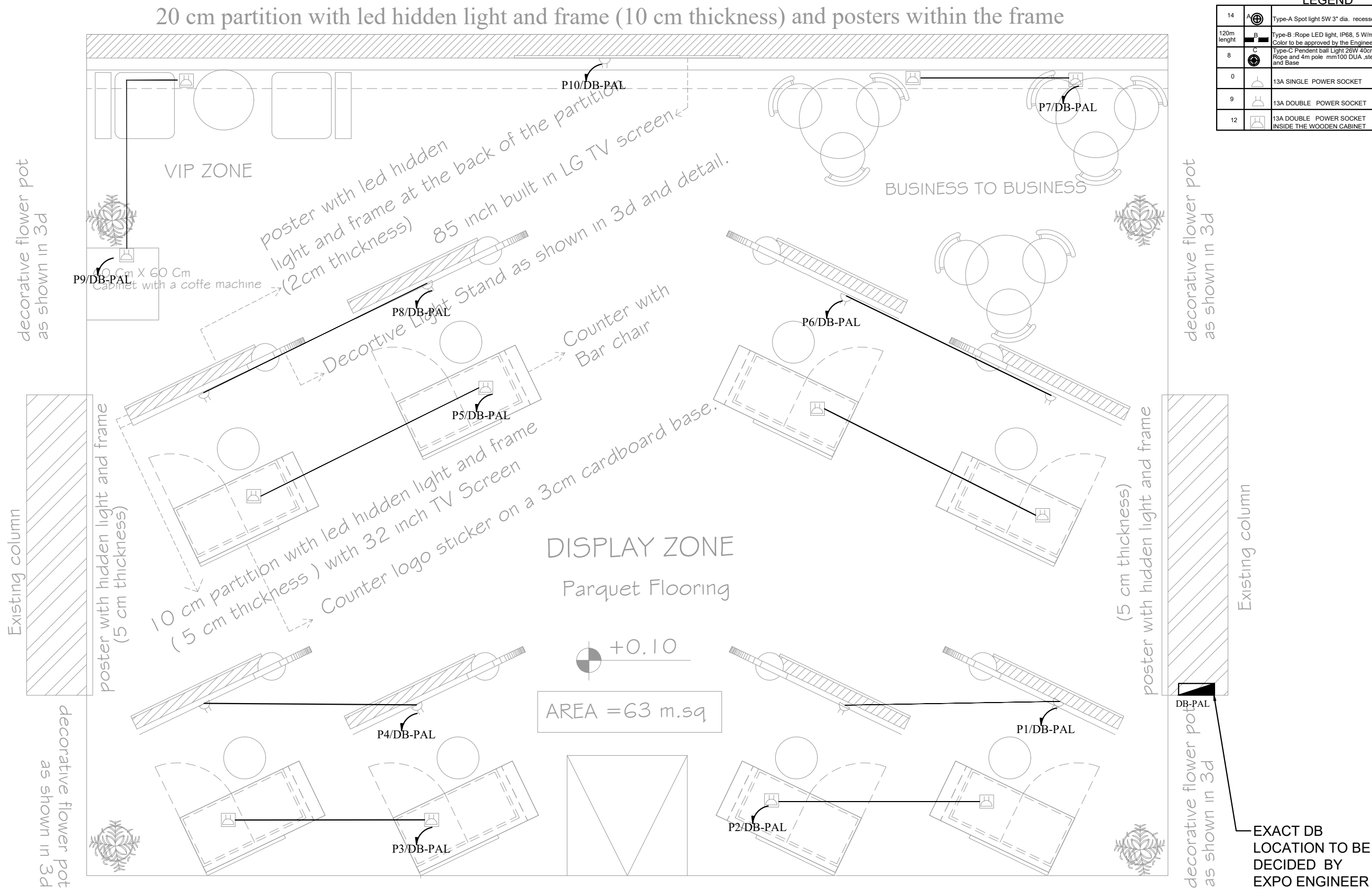
DRAWING SCALE: **1:50**

REVISIONS

PLOT DATE: MAY 2023

LEGEND

14	A	Type-A Spot light 5W 3" dia. recessed in wood beam
120m length	B	Type-B Rope LED light, IP68, 5 W/m. 60 LEDs per m Color to be approved by the Engineer.
8	C	Type-C Pendant ball Light 26W 40cm Diameter with Rope and 4m pole mm100 DUA ,steel pole with all accessories and Base
0		13A SINGLE POWER SOCKET
9		13A DOUBLE POWER SOCKET
12		13A DOUBLE POWER SOCKET INSIDE THE WOODEN CABINET

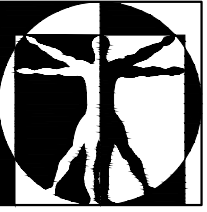


EXACT DB LOCATION TO BE DECIDED BY EXPO ENGINEER

Led hidden light around raised platform from all directions as shown in 3D



AREA = 63 m.sq



A.E.G

Design, Construction Management,
Urban Planning & Restoration

54-Jerusalem Hebron Street
P.O.Box 374
Tel: 2777114, Fax: 2777115
Info@aeg-eng.com

PROJECT :

London Tech week

PROJECT LOCATION :
London

OWNER :
Paltrade

DESIGN BY:
Rimon Hannouneh

DRAWN BY: Rimon Hannouneh

CHECKED BY: Majdi Shomali

APPROVED BY: Technical Manager :
Arch. Elias Dieck
General Manager :
Civil Eng. Nejib Nasser

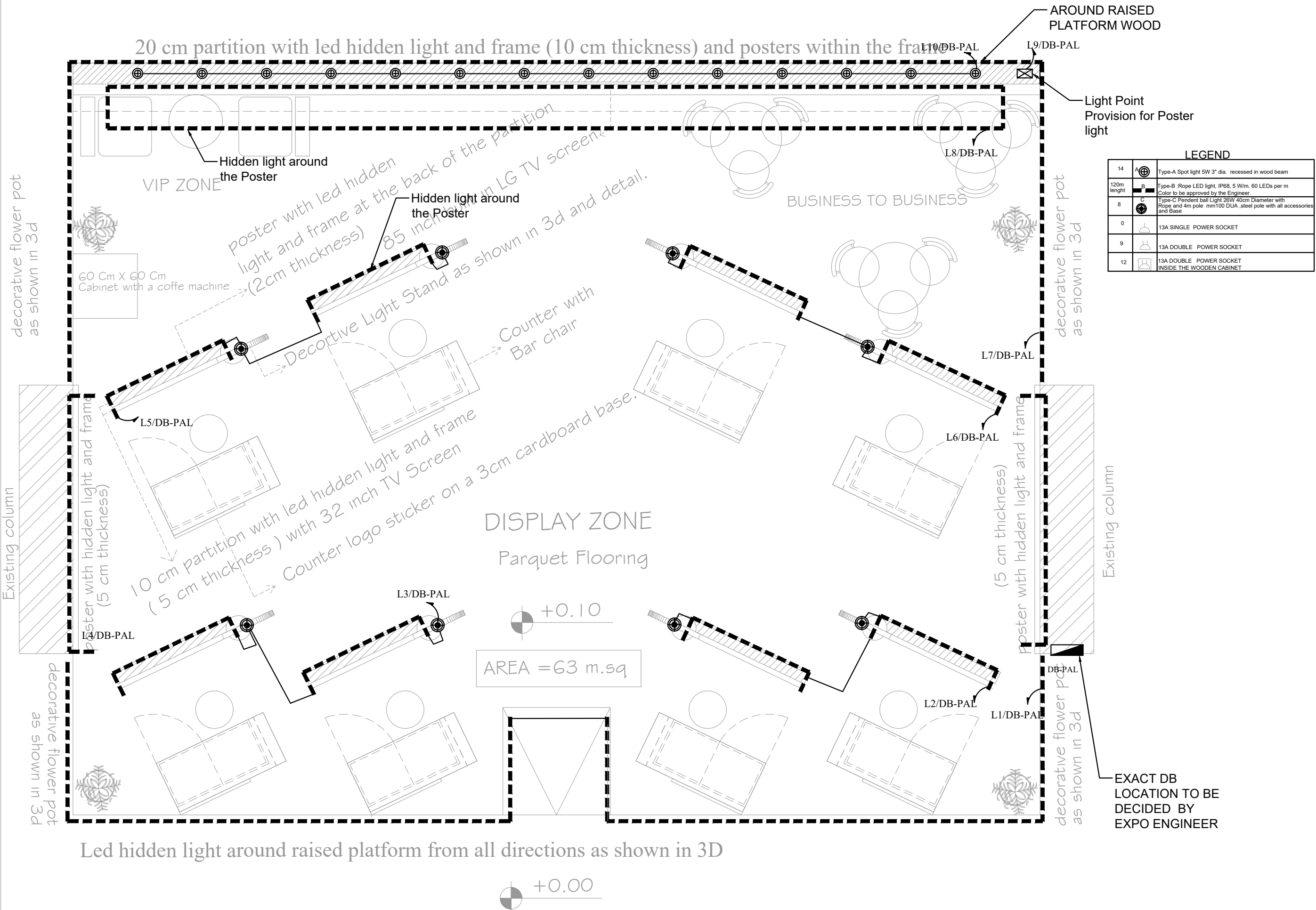
DRAWING TITLE:

LIGHTING LAYOUT



DRAWING SCALE: **1:50**

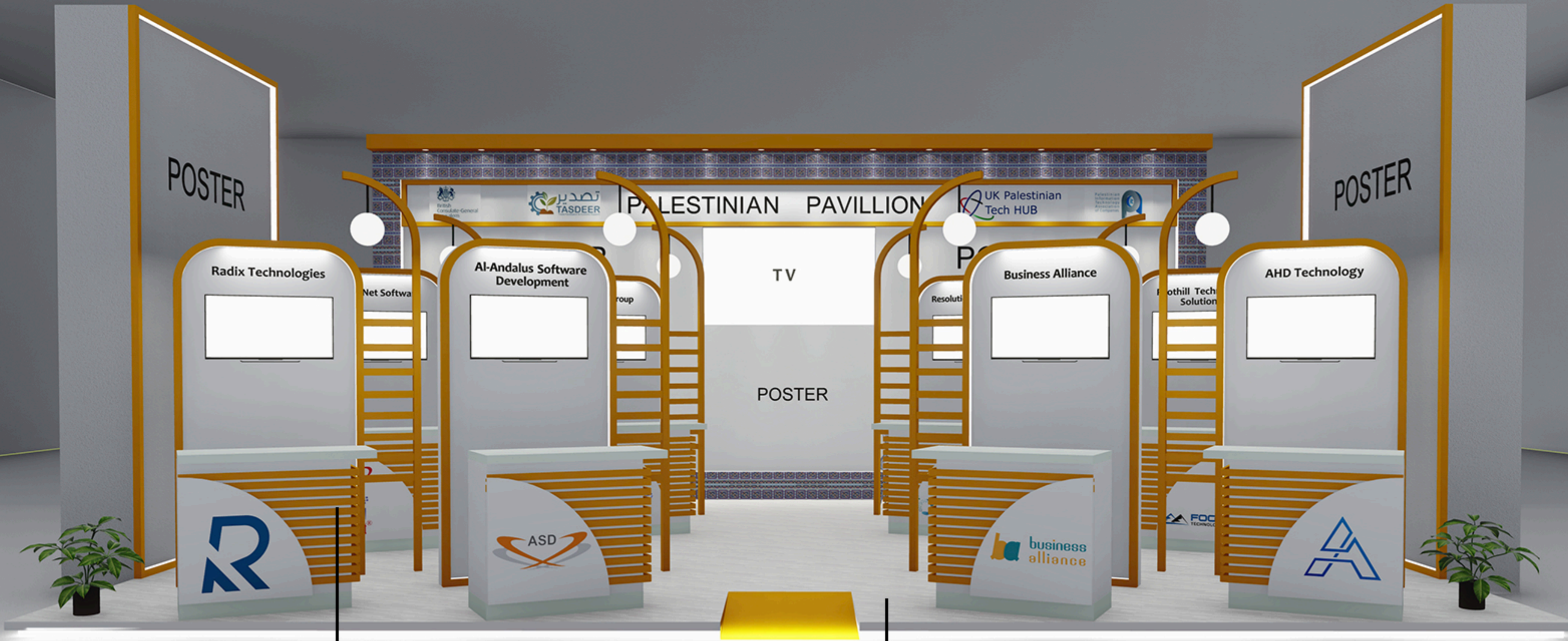
REVISIONS

PLOT DATE: MAY 2023



Led hidden light around raised platform from all directions as shown in 3D

FURNITURE	3D	Number of Items	NOTES
50x120 cm counter		8	One for Each Company
Bar chair		8	One for Each Company
60x60x90 cm cabinet		1	Located in the VIP Zone
50 cm round table with 2 sofas		1 set	Located in the VIP Zone
60 cm round table with 3 chairs		3 sets	located in the Business to Business Zone
Plant as shown in 3D		4	Distributed around the edges of the pavillion platform
Catalogue holder for each counter		8	One for Each Company
Trash Basket		8	One for Each Company
TV 32 inch		8	One for Each Company
TV 85 inch		1	Built in screen on the rear wall of the pavillion



Color Code : f5aa19



Wooden floor white parquet