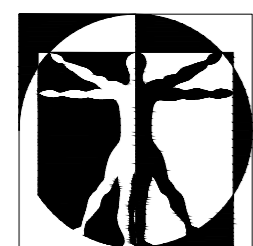


Palestinian Pavilion at GulFood 2025 - Dubai



A.E.G

Design, Construction, Management,
Urban Planning & Restoration

ARCHITECTURAL & ENGINEERING GROUP

54-Jerusalem Hebron Street / P.O.Box 374 / Tel: 2777114 / Fax:2777115

website: www.aeg-eng.ps / Email: info@aeg-eng.com

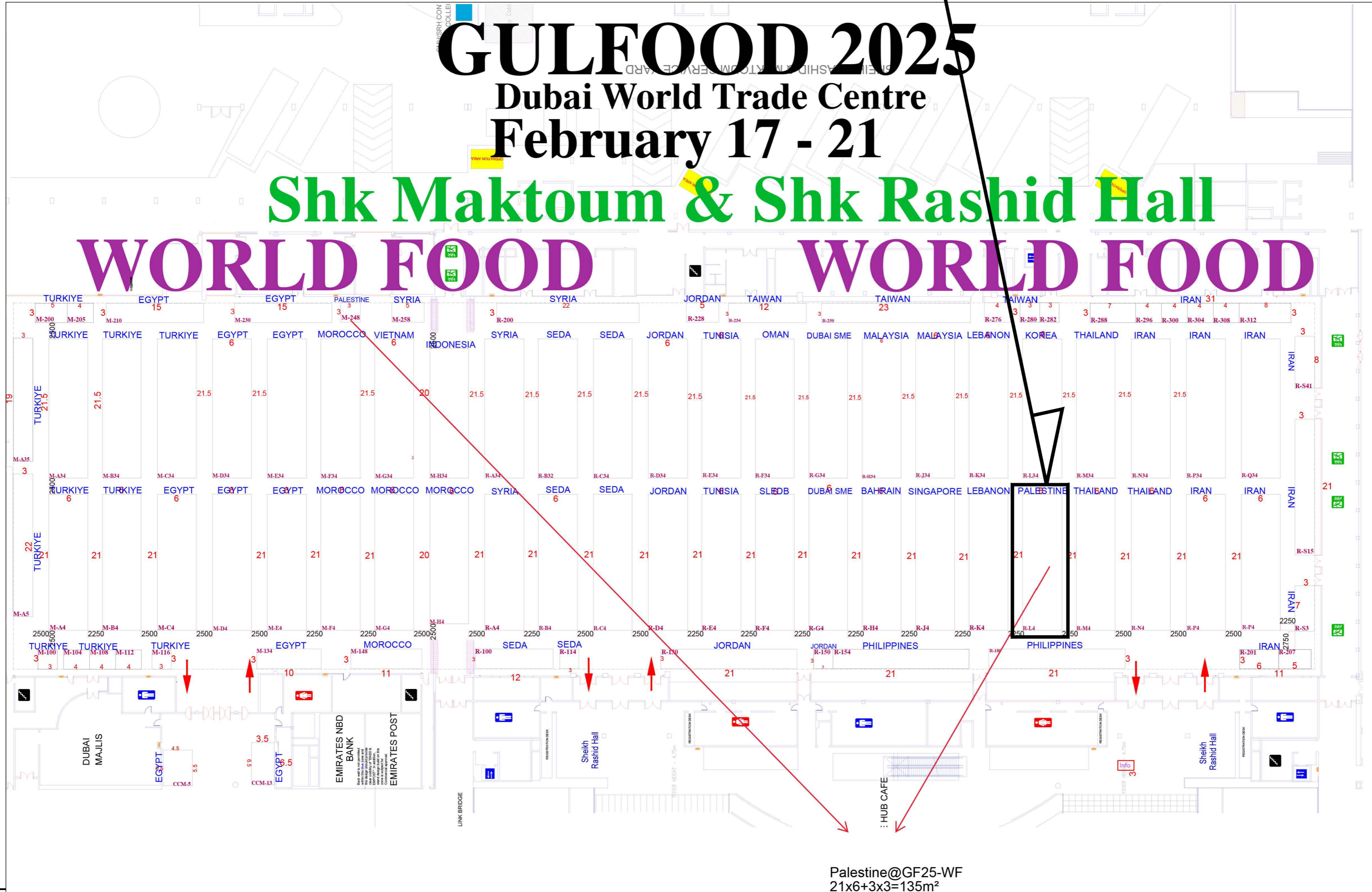
1st Spot

GULFOOD 2025
Dubai World Trade Centre
February 17 - 21

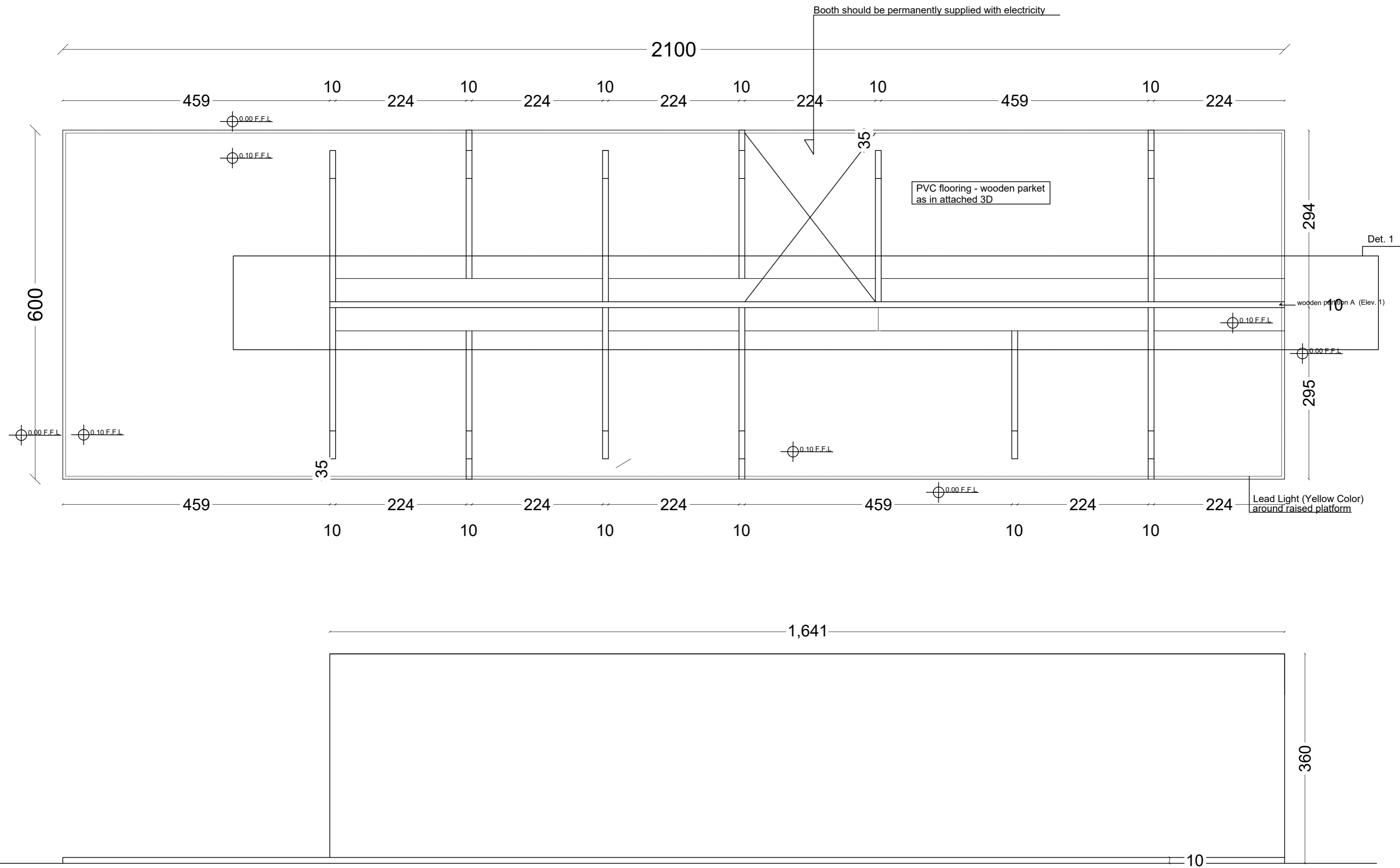
Shk Maktoum & Shk Rashid Hall

WORLD FOOD

WORLD FOOD

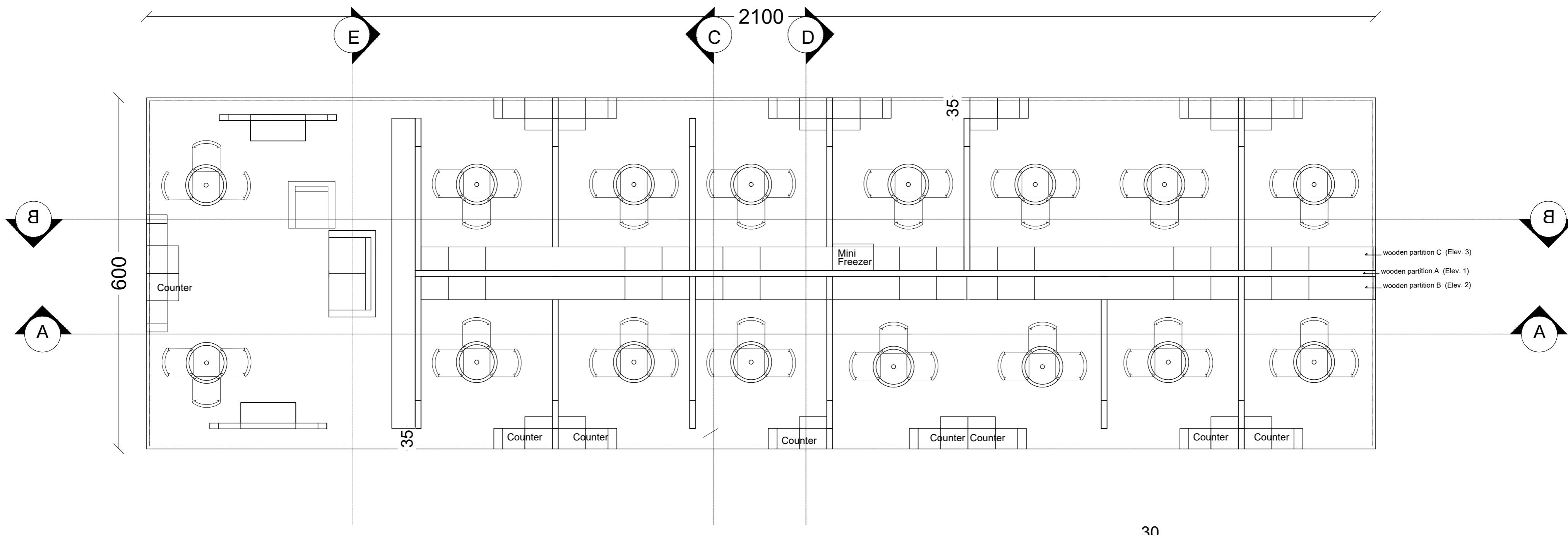


Palestine@GF25-WF
21x6+3x3=135m²



Detail 1
Wooden Partition A - Elevation 1

CONSULTANT Design, Construction Management, Urban Planning & Restoration 925 Tel: 2777114, Fax: 2777115 Info@aeg-eng.com	PROJECT NAME Palestinian Pavilion at GulFood 2025 Dubai	OWNER : Palrade	DRAWING NAME Main Booth division	DESIGNED BY: Arch. Lisa Muallem	DRAWN BY: Arch. Lisa Muallem	DRAWING NO. A01	Notes:
			CHECKED BY: Eng. Negib Nasser	APPROVED BY: Eng. Negib Nasser	SCALE 1:50		
					REVISION SUFFIX		



CONSULTANT

A.E.G
 Design, Construction Management,
 Urban Planning & Restoration
 925
 Tel: 2777114, Fax: 2777115
 Info@aeg-eng.com

PROJECT NAME
 Palestinian Pavilion at
 GulFood 2025
 Dubai

OWNER :
 Palrade

DRAWING NAME
 Furniture Layout

DESIGNED BY:
 Arch. Lisa Muallem

CHECKED BY:
 Eng. Negib Nasser

SCALE
 1:50

DRAWN BY:
 Arch. Lisa Muallem

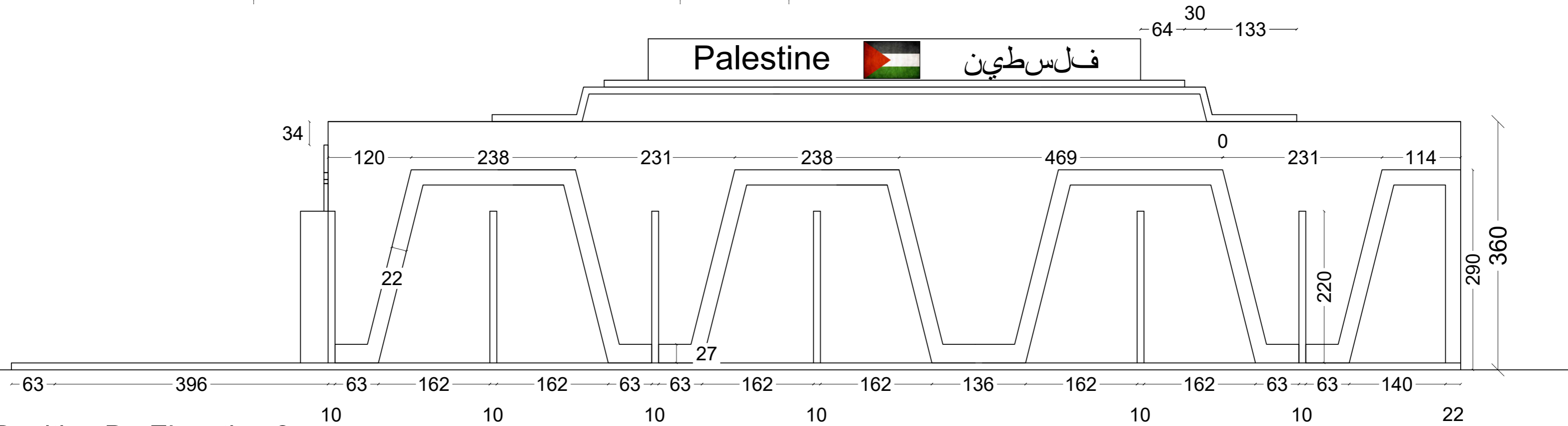
APPROVED BY:
 Eng. Negib Nasser

DATE

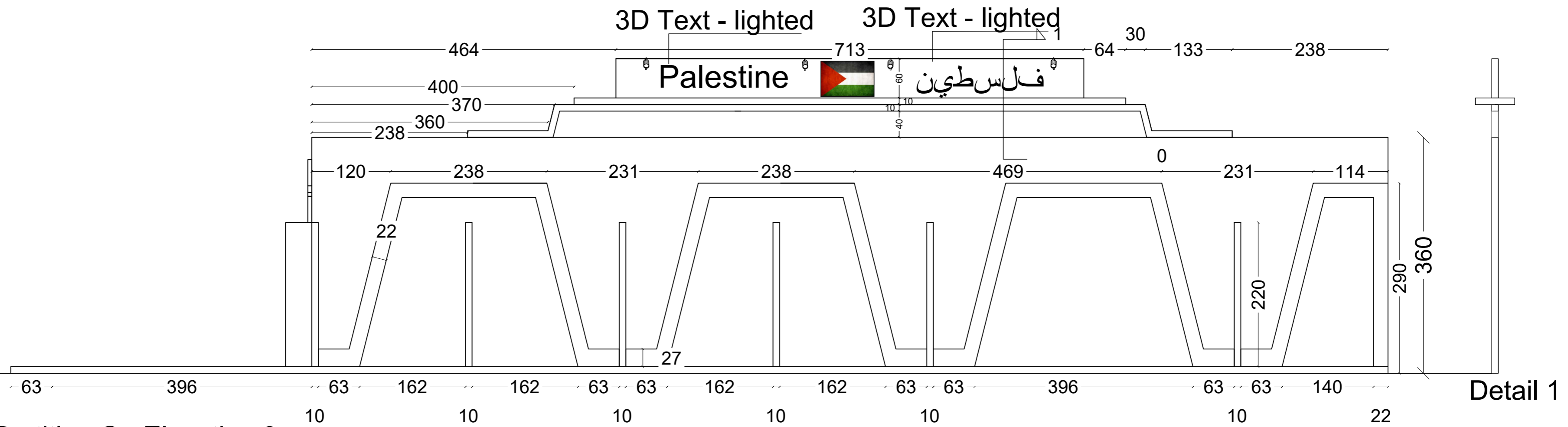
DRAWING NO.
 A02

REVISION SUFFIX

Notes:

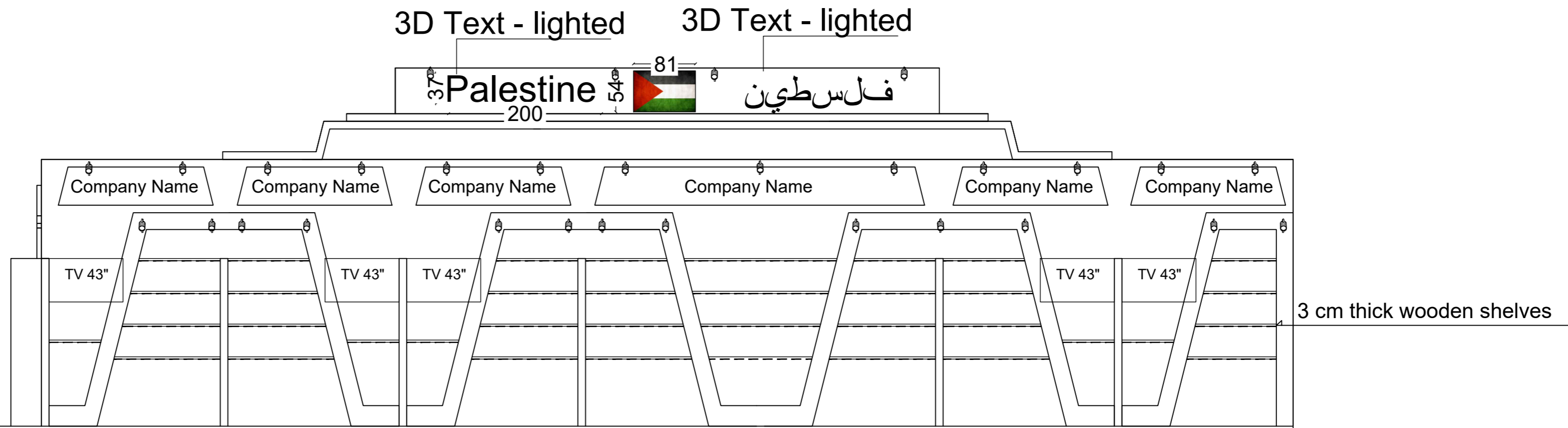


Wooden Partition B - Elevation 2



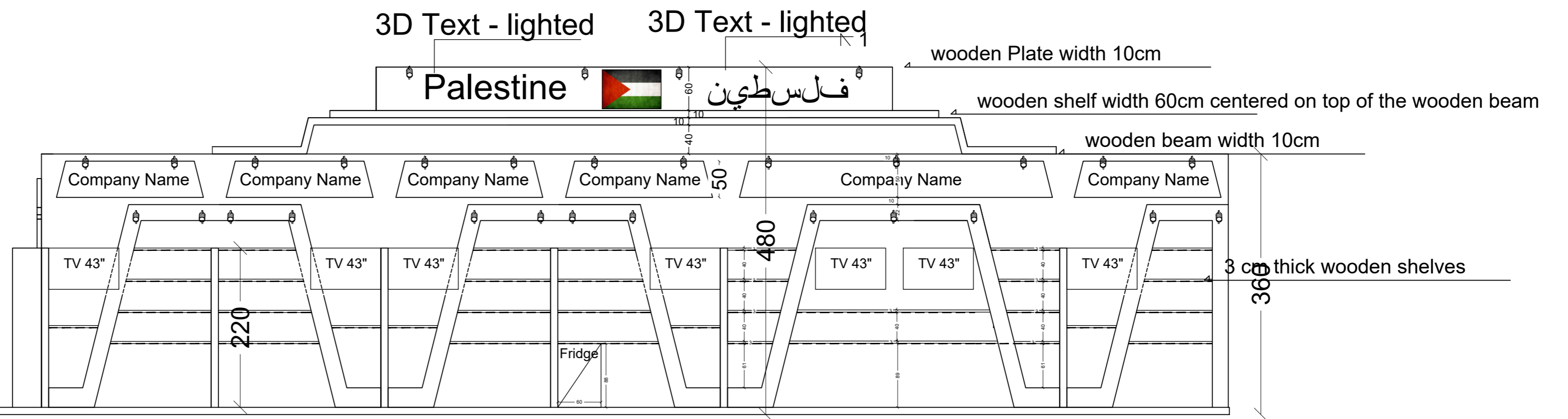
Wooden Partition C - Elevation 3

CONSULTANT A.E.G Design, Construction Management, Urban Planning & Restoration 925 Tel: 2777114, Fax: 2777115 Info@aeg-eng.com	PROJECT NAME Palestinian Pavilion at GulFood 2025 Dubai	OWNER : Palrade	DRAWING NAME Sections	DESIGNED BY: Arch. Lisa Muallem	DRAWN BY: Arch. Lisa Muallem	DRAWING NO. A03	Notes:
				CHECKED BY: Eng. Negib Nasser	APPROVED BY: Eng. Negib Nasser		
				SCALE 1:50	DATE	REVISION SUFFIX	




Sec B-B

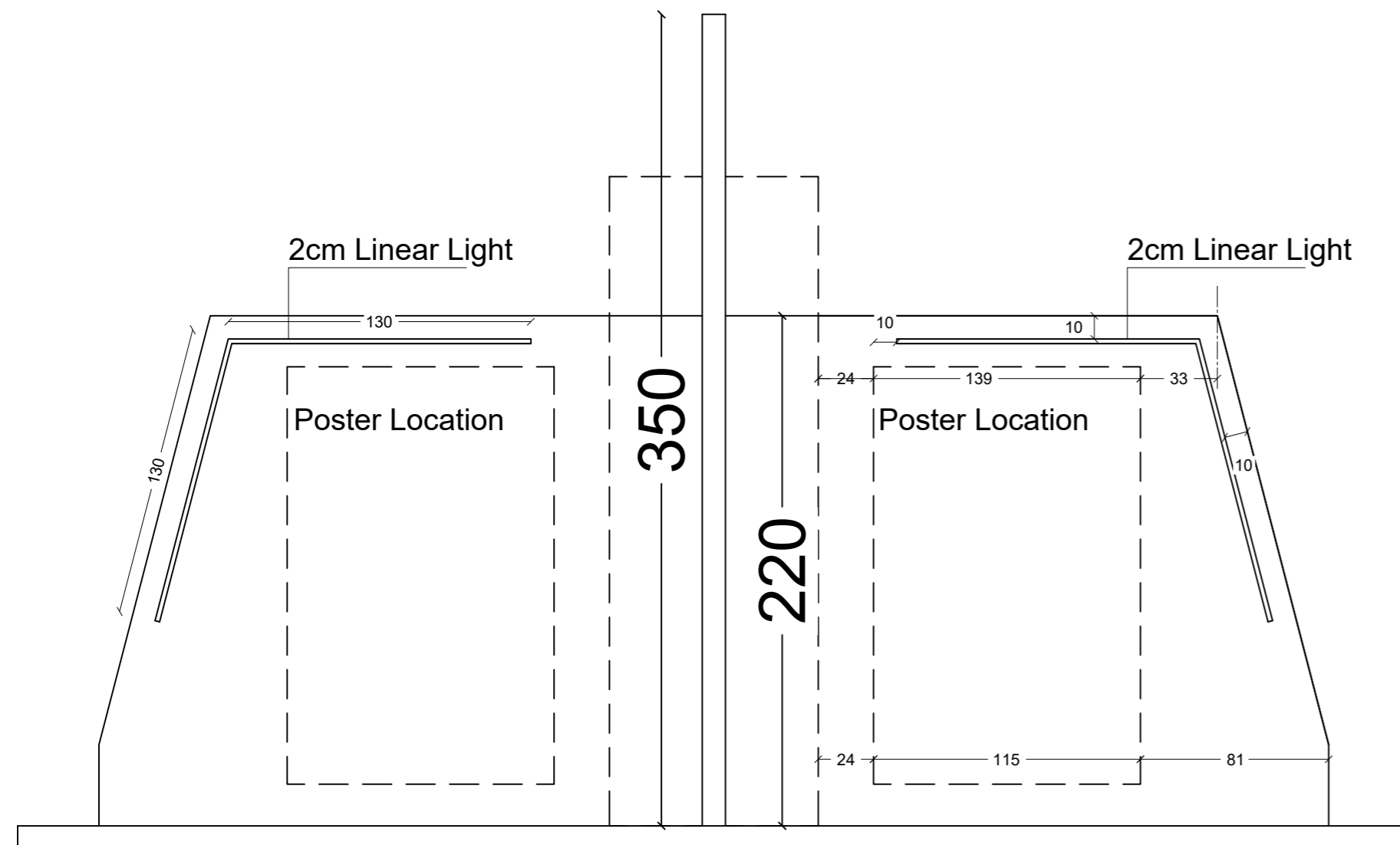
----- Symbol to the location of linear light



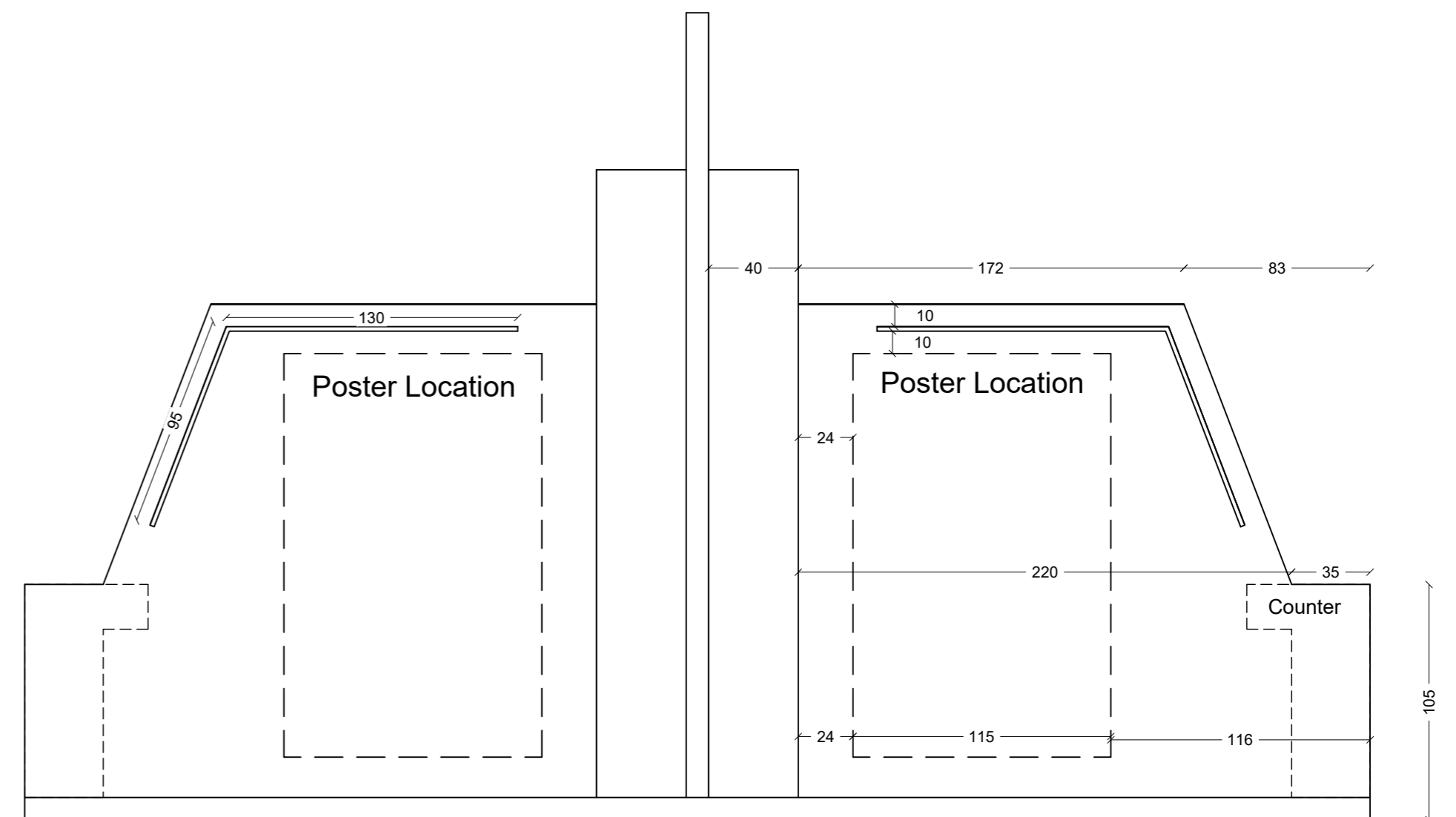
Sec A-A

----- Symbol to the location of linear light

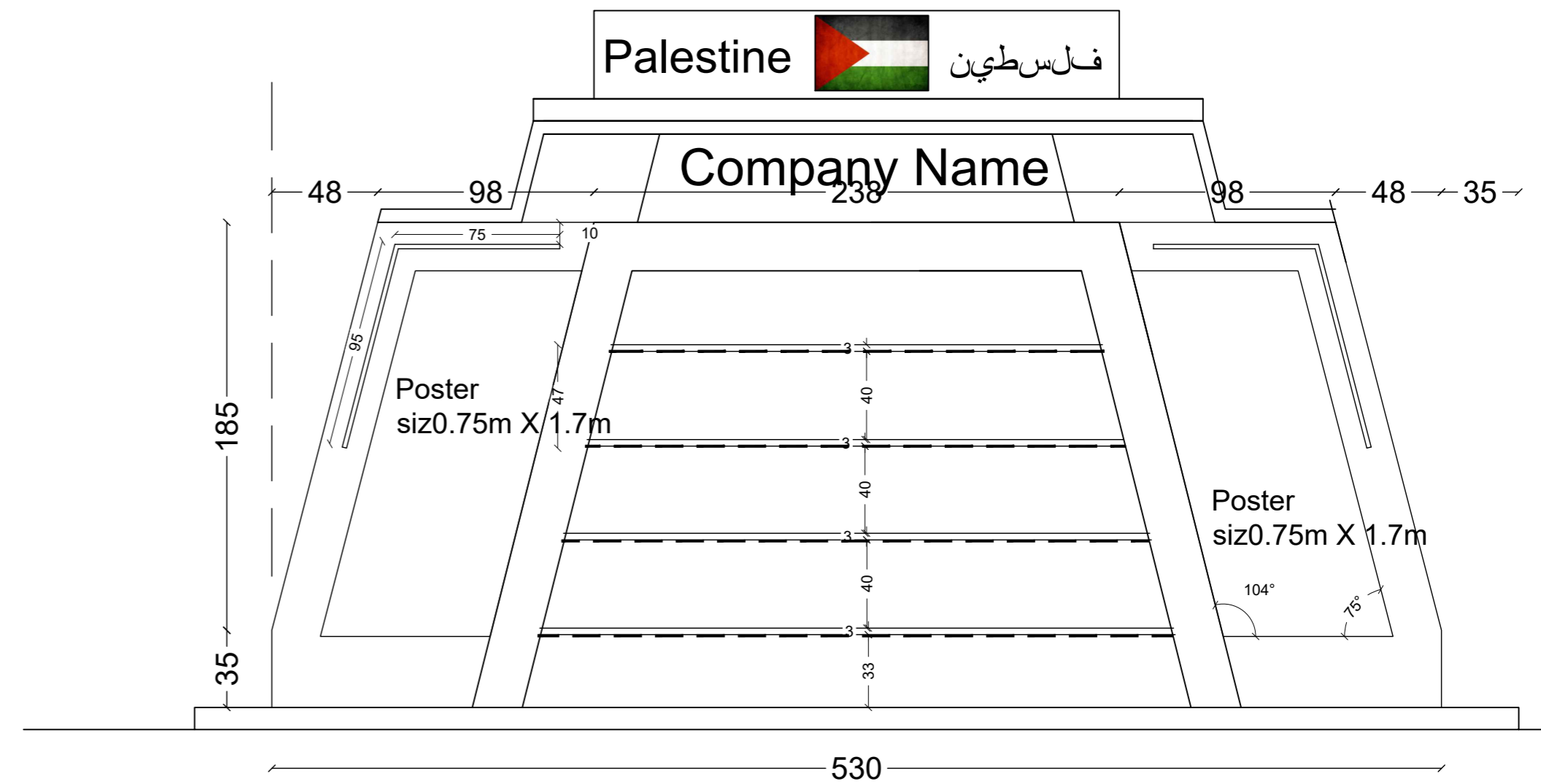
CONSULTANT  A.E.G Design, Construction Management, Urban Planning & Restoration 925 Tel: 2777114, Fax: 2777115 Info@aeg-eng.com	PROJECT NAME Palestinian Pavilion at GulFood 2025 Dubai	OWNER : Palrade	DRAWING NAME Sections	DESIGNED BY: Arch. Lisa Muallem	DRAWN BY: Arch. Lisa Muallem	DRAWING NO. A04	Notes:
				CHECKED BY: Eng. Negib Nasser	APPROVED BY: Eng. Negib Nasser		
				SCALE 1:50	DATE	REVISION SUFFIX	




Sec C-C



Sec D-D



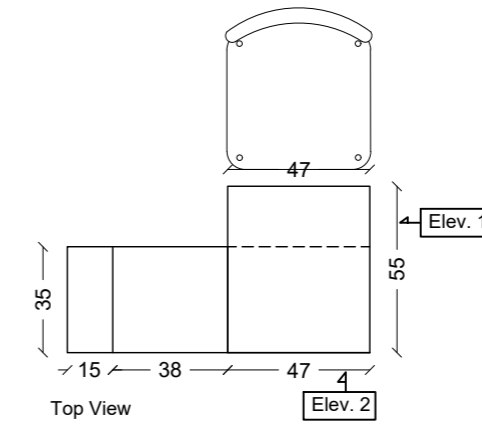
Sec E-E

CONSULTANT  A.E.G Design, Construction Management, Urban Planning & Restoration 925 Tel: 2777114, Fax: 2777115 Info@aeg-eng.com	PROJECT NAME Palestinian Pavilion at GulFood 2025 Dubai	OWNER : Palrade	DRAWING NAME Sections	DESIGNED BY: Arch. Lisa Muallem	DRAWN BY: Arch. Lisa Muallem	DRAWING NO. A05	Notes:
				CHECKED BY: Eng. Negib Nasser	APPROVED BY: Eng. Negib Nasser		
				SCALE 1:25	DATE	REVISION SUFFIX	

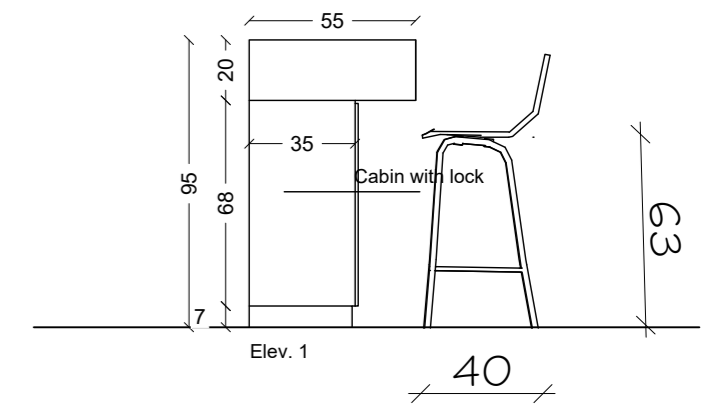
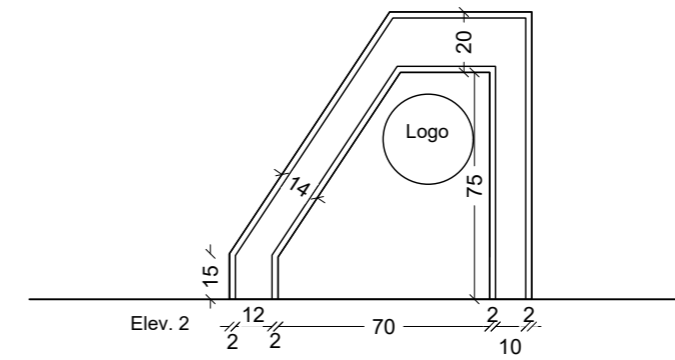
List of Furniture (stand 1)

	Item	No.	Explanatory Photo
1	Round Tables	16	
2	Chairs	48	
3	Counters	16	
4	High Chairs	16	
5	Catalogue Holder	18	
6	Flower vase on Counter	16	Similar to 3D
7	Trash cans	16	
8	TV 43"	12	
9	TV 70"	1	
10	Sofa Double	1	
11	Sofa single	1	
12	Divider	2	

Counter Detail



Note: Counter to be thermal paint



CONSULTANT



Design, Construction Management,
Urban Planning & Restoration
925
Tel: 2777114, Fax: 2777115
Info@aeg-eng.com

PROJECT NAME

Palestinian Pavilion at
GulFood 2025
Dubai

OWNER :

Palrade

DRAWING NAME

Details

DESIGNED BY:
Arch. Lisa Muallem

CHECKED BY:
Eng. Negib Nasser

SCALE
1:25

DRAWN BY:
Arch. Lisa Muallem

APPROVED BY:
Eng. Negib Nasser

DATE

DRAWING NO.

A06

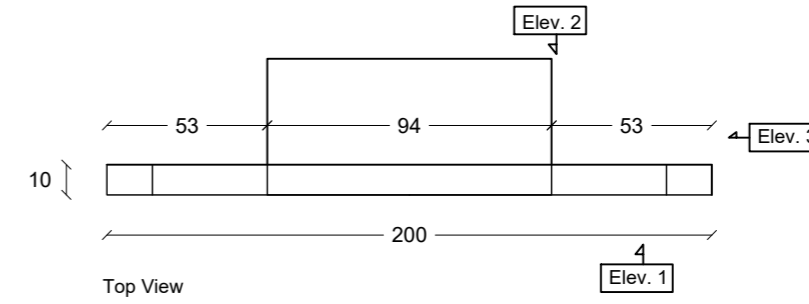
REVISION SUFFIX

Notes:

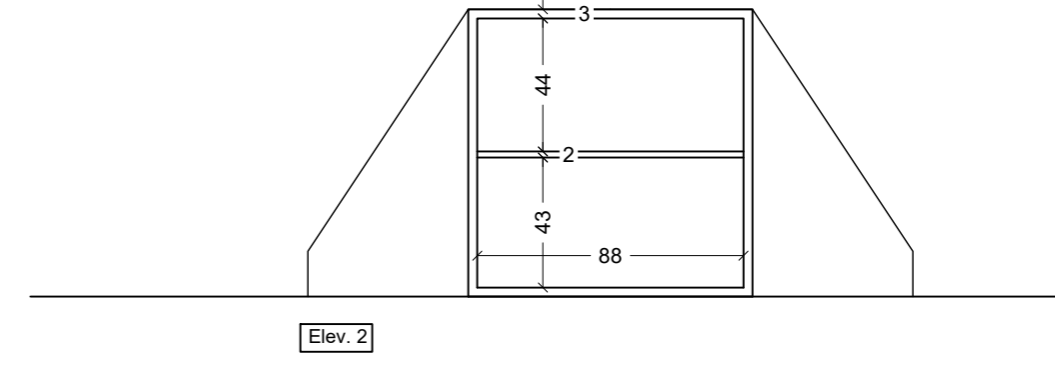
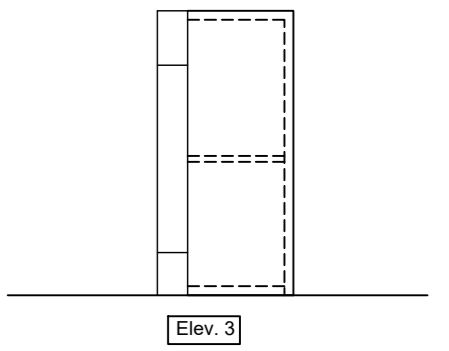
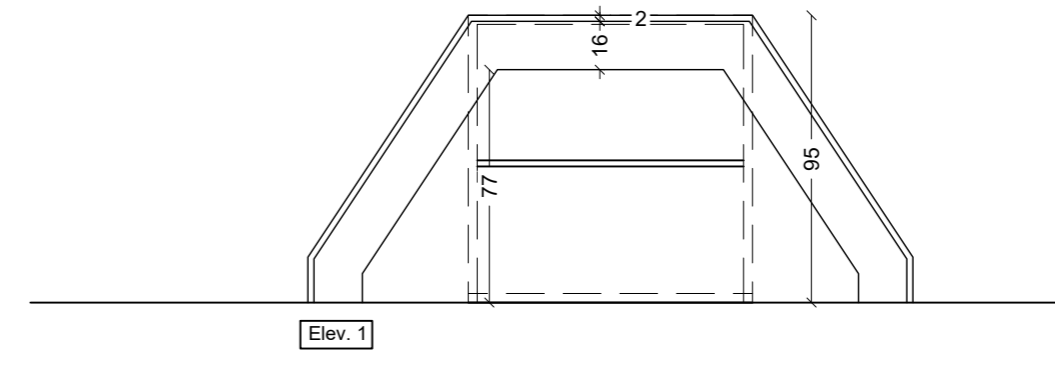


Divider

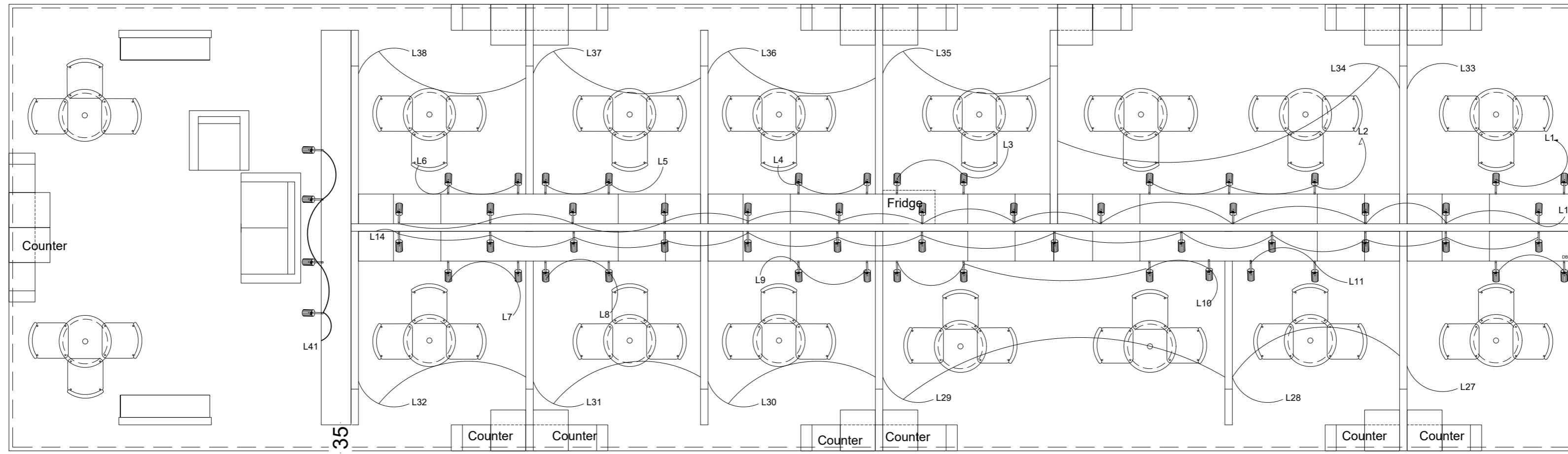
Divider Detail



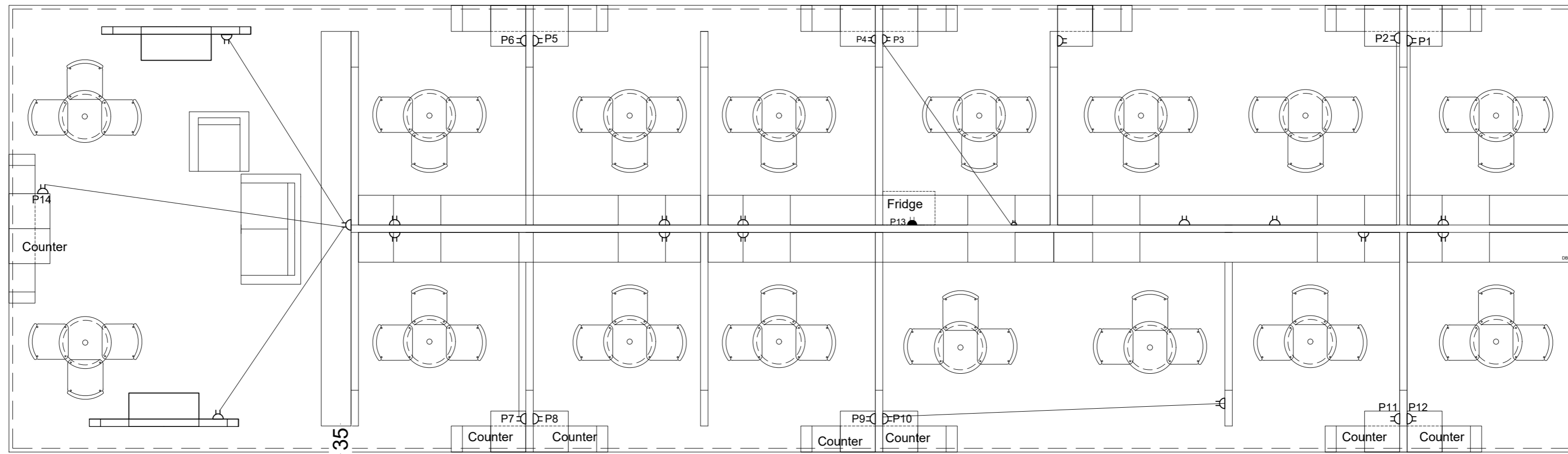
Note: Divider to be thermal paint



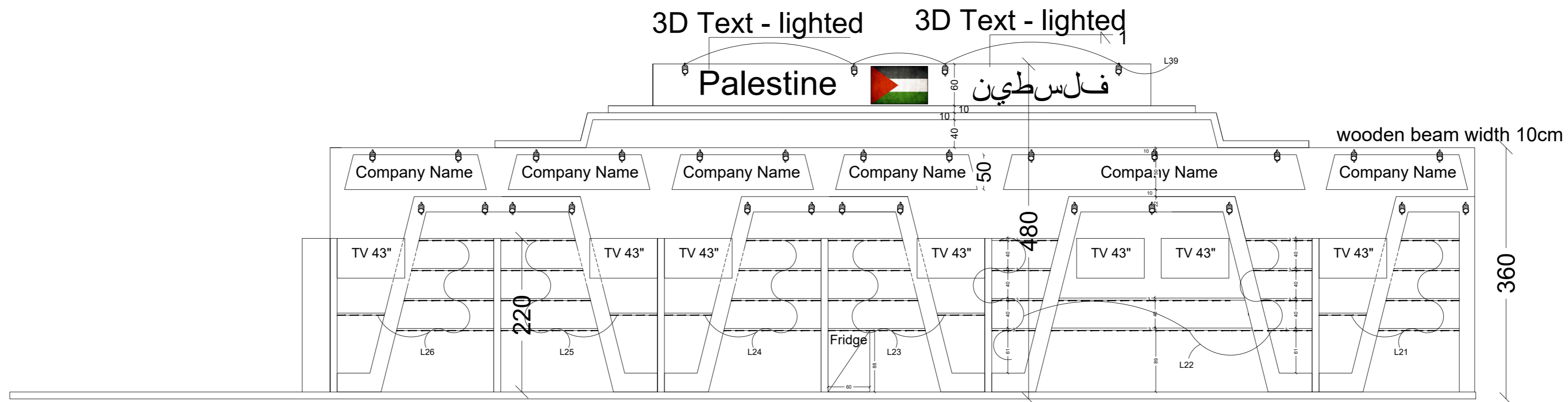
CONSULTANT A.E.G Design, Construction Management, Urban Planning & Restoration 925 Tel: 2777114, Fax: 2777115 Info@aeg-eng.com	PROJECT NAME Palestinian Pavilion at GulFood 2025 Dubai	OWNER : Palrade	DRAWING NAME Details	DESIGNED BY: Arch. Lisa Muallem	DRAWN BY: Arch. Lisa Muallem	DRAWING NO. A07	Notes:
				CHECKED BY: Eng. Negib Nasser	APPROVED BY: Eng. Negib Nasser		
				SCALE 1:25	DATE	REVISION SUFFIX	



Type	QTY.
Projector Light	60
Linear Light in wood around posters	60 m
Led below shelves	80 m
Led strip around platform	54 m

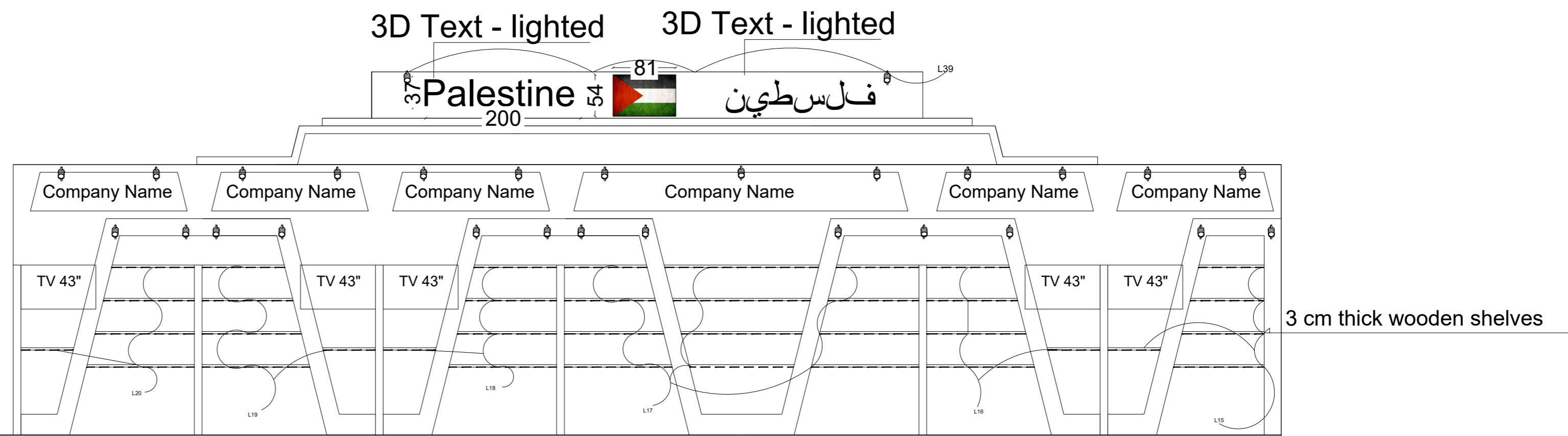


Type	No.
13A DOUBLE POWER SOCKET For TV & For Counter use	29
13A DOUBLE POWER SOCKET Water Proof For Fridge	1



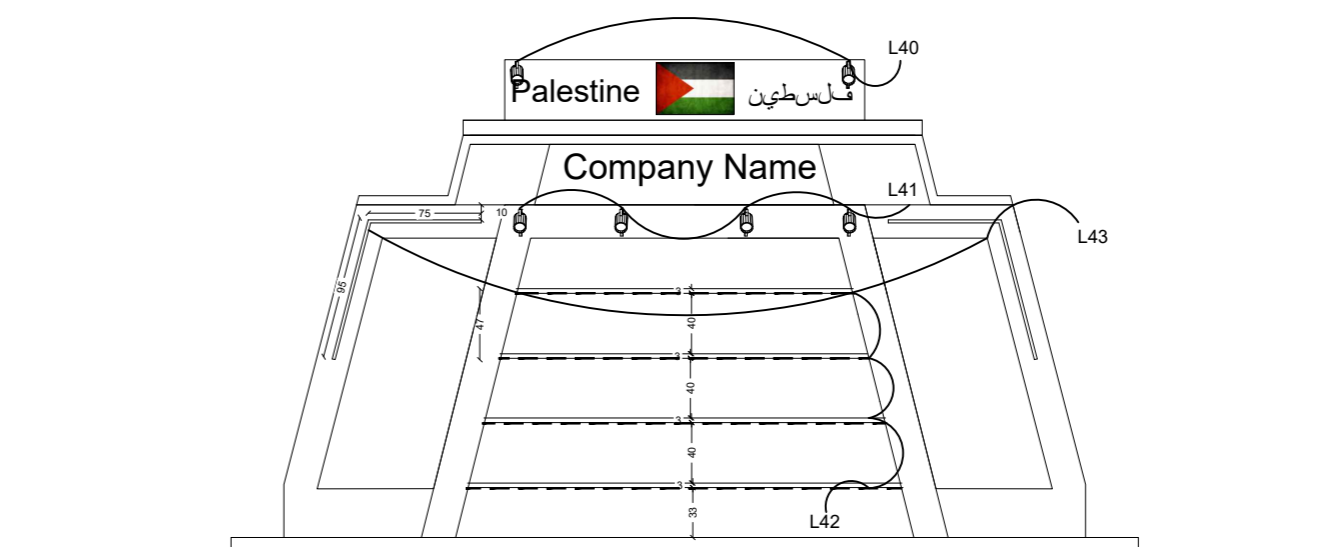
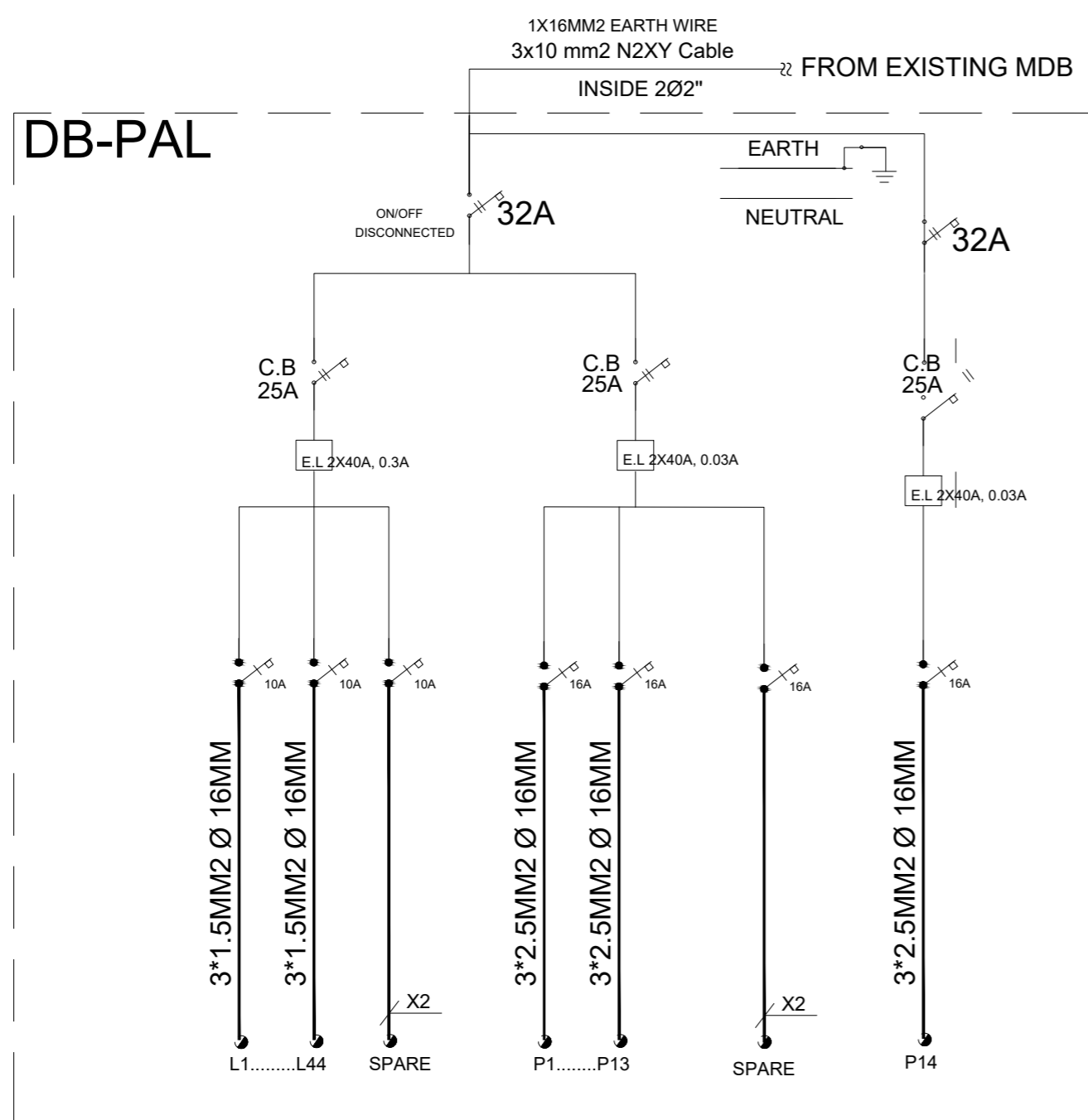
Sec A-A

----- Symbol to the location of linear light



Sec B-B

----- Symbol to the location of linear light



Sec E-E

CONSULTANT



Design, Construction Management,
Urban Planning & Restoration
925
Tel: 2777114, Fax: 2777115
Info@aeg-eng.com

PROJECT NAME

Palestinian Pavilion at
GulFood 2025
Dubai

OWNER :

Palrade

DRAWING NAME

Electrical Plans

DESIGNED BY:
Arch. Lisa Muallem

CHECKED BY:
Eng. Negib Nasser

SCALE
1:50

DRAWN BY:
Arch. Lisa Muallem

APPROVED BY:
Eng. Negib Nasser

DATE


DRAWING NO.

A10


REVISION SUFFIX

Notes:




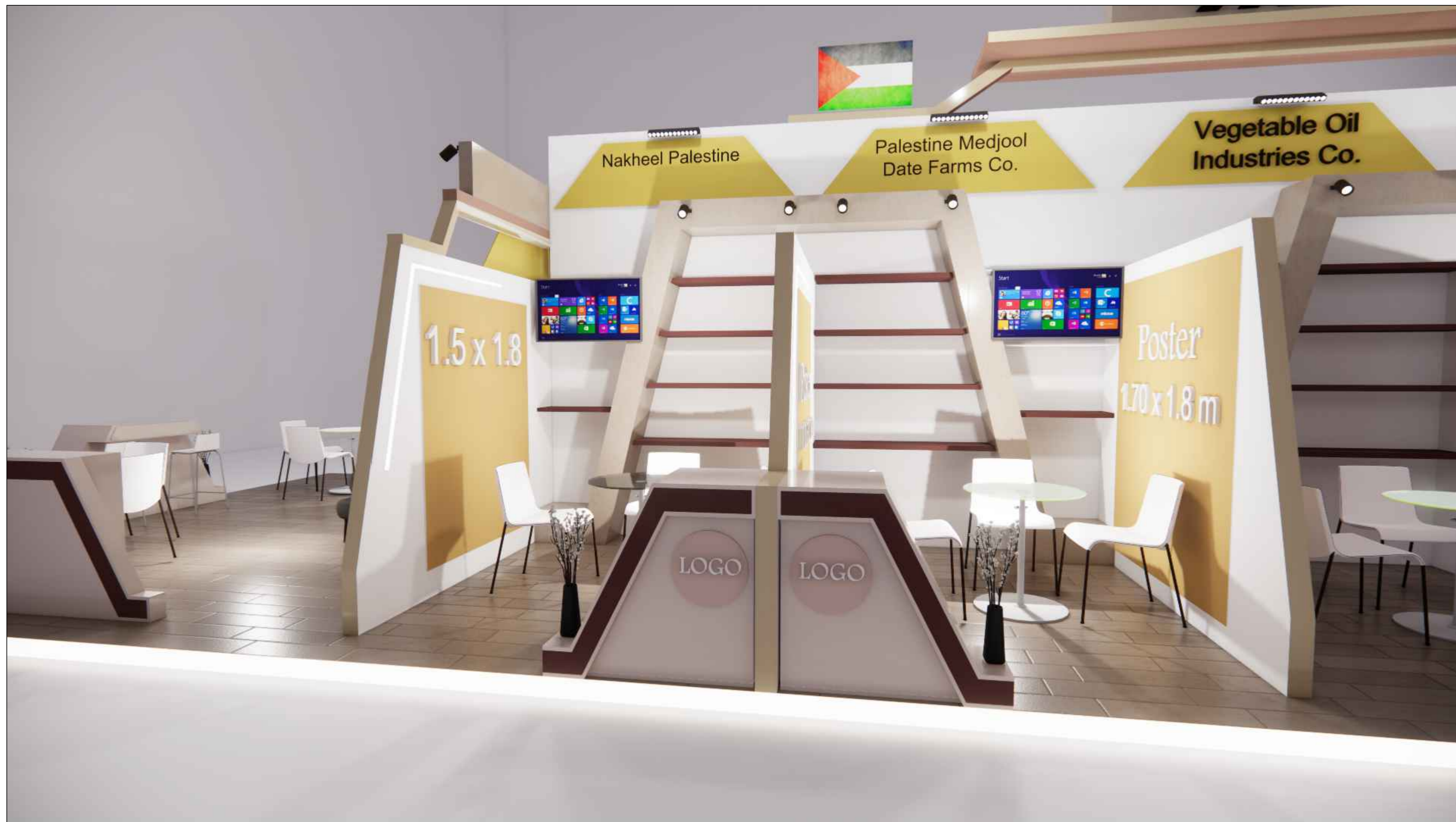
CONSULTANT  A.E.G Design, Construction Management, Urban Planning & Restoration 925 Tel: 2777114, Fax: 2777115 Info@aeg-eng.com	PROJECT NAME Palestinian Pavilion at GulFood 2025 Dubai	OWNER : Palrade	DRAWING NAME 3D images	DESIGNED BY: Arch. Lisa Muallem	DRAWN BY: Arch. Lisa Muallem	DRAWING NO. A11	Notes:
				CHECKED BY: Eng. Negib Nasser	APPROVED BY: Eng. Negib Nasser		
				SCALE	DATE	REVISION SUFFIX	




CONSULTANT  A.E.G Design, Construction Management, Urban Planning & Restoration 925 Tel: 2777114, Fax: 2777115 Info@aeg-eng.com	PROJECT NAME Palestinian Pavilion at GulFood 2025 Dubai	OWNER : Palrade	DRAWING NAME 3D images	DESIGNED BY: Arch. Lisa Muallem	DRAWN BY: Arch. Lisa Muallem	DRAWING NO. A12	Notes:
				CHECKED BY: Eng. Negib Nasser	APPROVED BY: Eng. Negib Nasser		
				SCALE	DATE	REVISION SUFFIX	




CONSULTANT  A.E.G Design, Construction Management, Urban Planning & Restoration 925 Tel: 2777114, Fax: 2777115 Info@aeg-eng.com	PROJECT NAME Palestinian Pavilion at GulFood 2025 Dubai	OWNER : Palrade	DRAWING NAME 3D images	DESIGNED BY: Arch. Lisa Muallem	DRAWN BY: Arch. Lisa Muallem	DRAWING NO. A13	Notes:
				CHECKED BY: Eng. Negib Nasser	APPROVED BY: Eng. Negib Nasser		
				SCALE	DATE	REVISION SUFFIX	



CONSULTANT  A.E.G Design, Construction Management, Urban Planning & Restoration 925 Tel: 2777114, Fax: 2777115 Info@aeg-eng.com	PROJECT NAME Palestinian Pavilion at GulFood 2025 Dubai	OWNER : Palrade	DRAWING NAME 3D images	DESIGNED BY: Arch. Lisa Muallem	DRAWN BY: Arch. Lisa Muallem	DRAWING NO. A14	Notes:
				CHECKED BY: Eng. Negib Nasser	APPROVED BY: Eng. Negib Nasser		
				SCALE	DATE	REVISION SUFFIX	



CONSULTANT  A.E.G Design, Construction Management, Urban Planning & Restoration 925 Tel: 2777114, Fax: 2777115 Info@aeg-eng.com	PROJECT NAME Palestinian Pavilion at GulFood 2025 Dubai	OWNER : Palrade	DRAWING NAME 3D images	DESIGNED BY: Arch. Lisa Muallem	DRAWN BY: Arch. Lisa Muallem	DRAWING NO. A15	Notes:
				CHECKED BY: Eng. Negib Nasser	APPROVED BY: Eng. Negib Nasser		
				SCALE	DATE	REVISION SUFFIX	

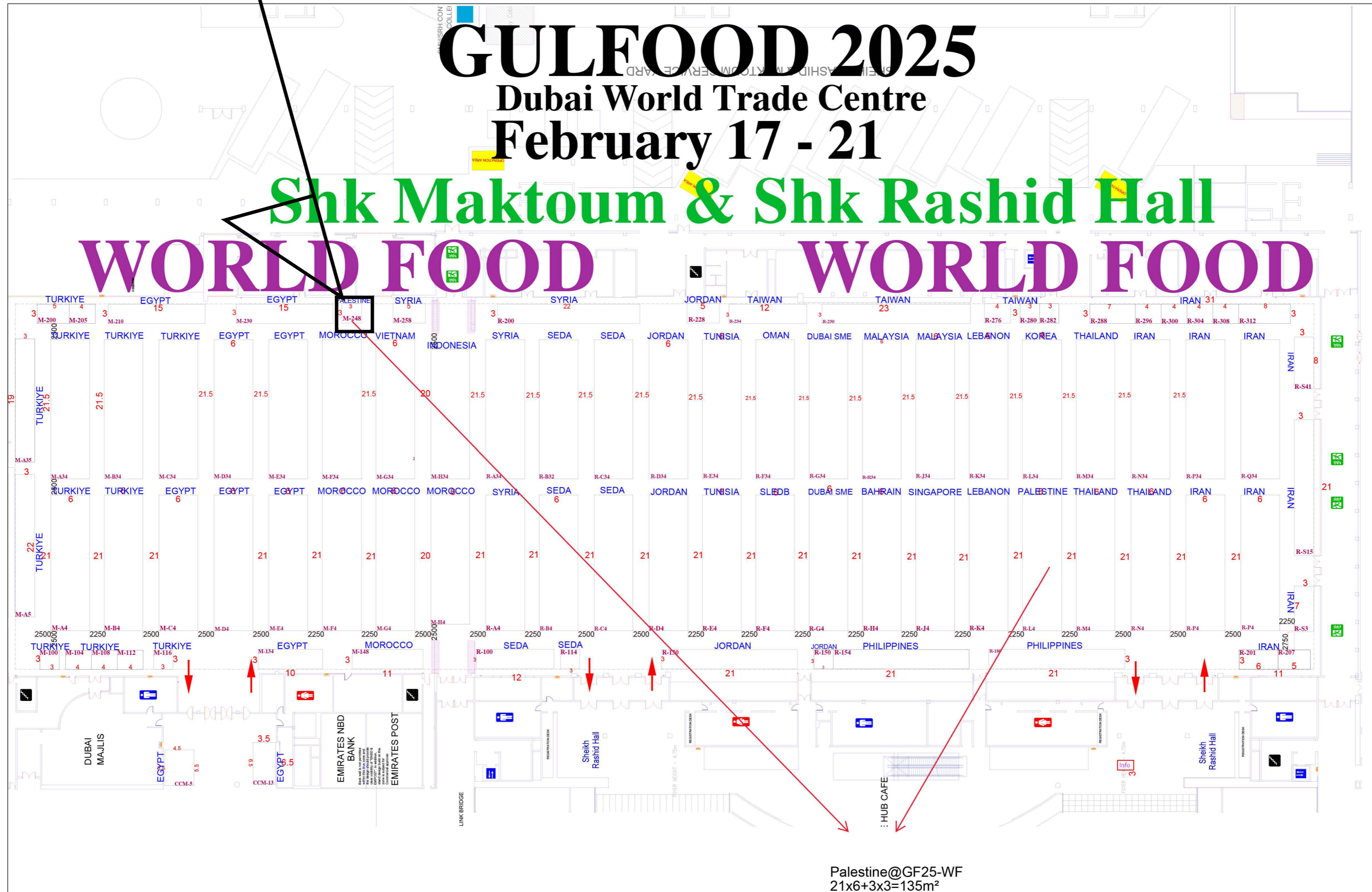
2nd spot

GULFOOD 2025
Dubai World Trade Centre
February 17 - 21

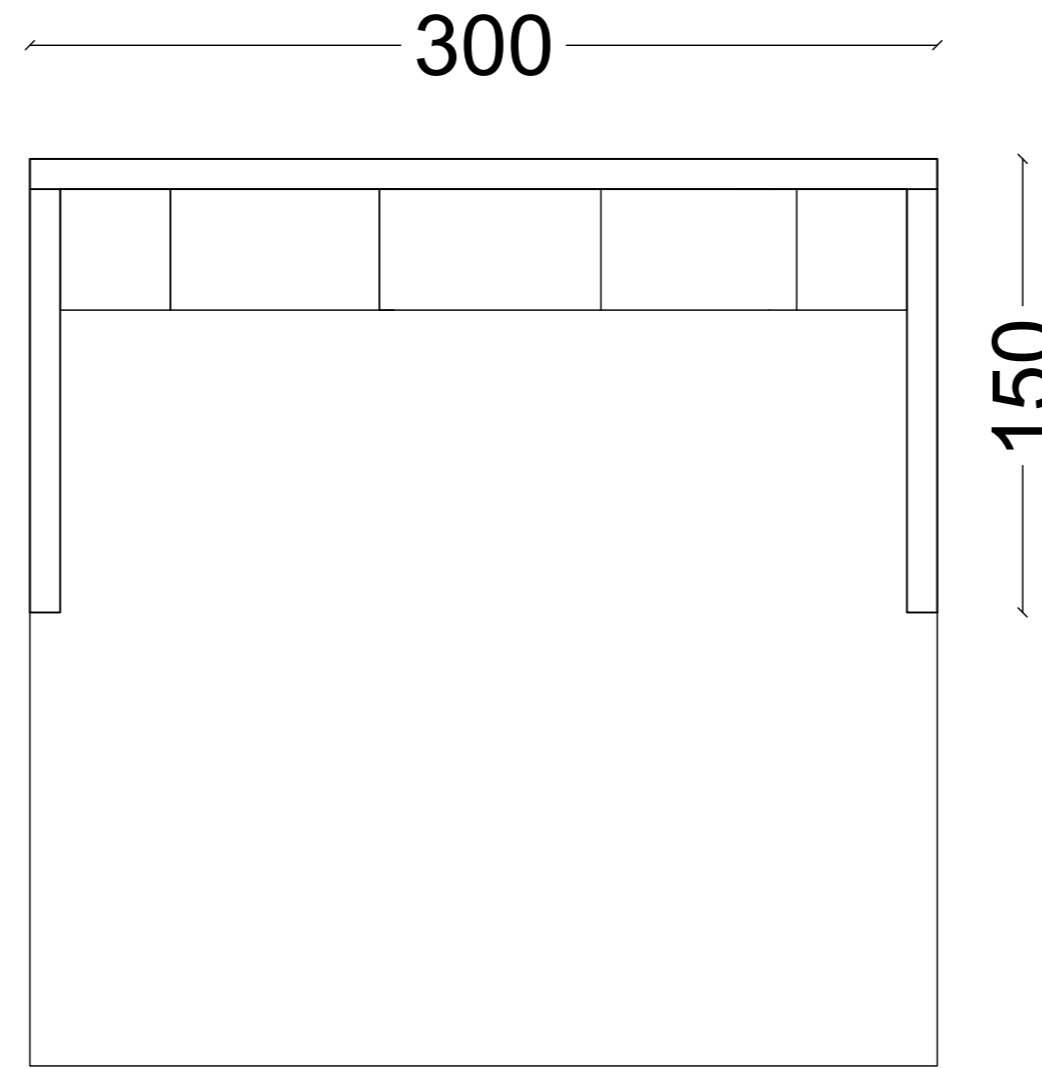
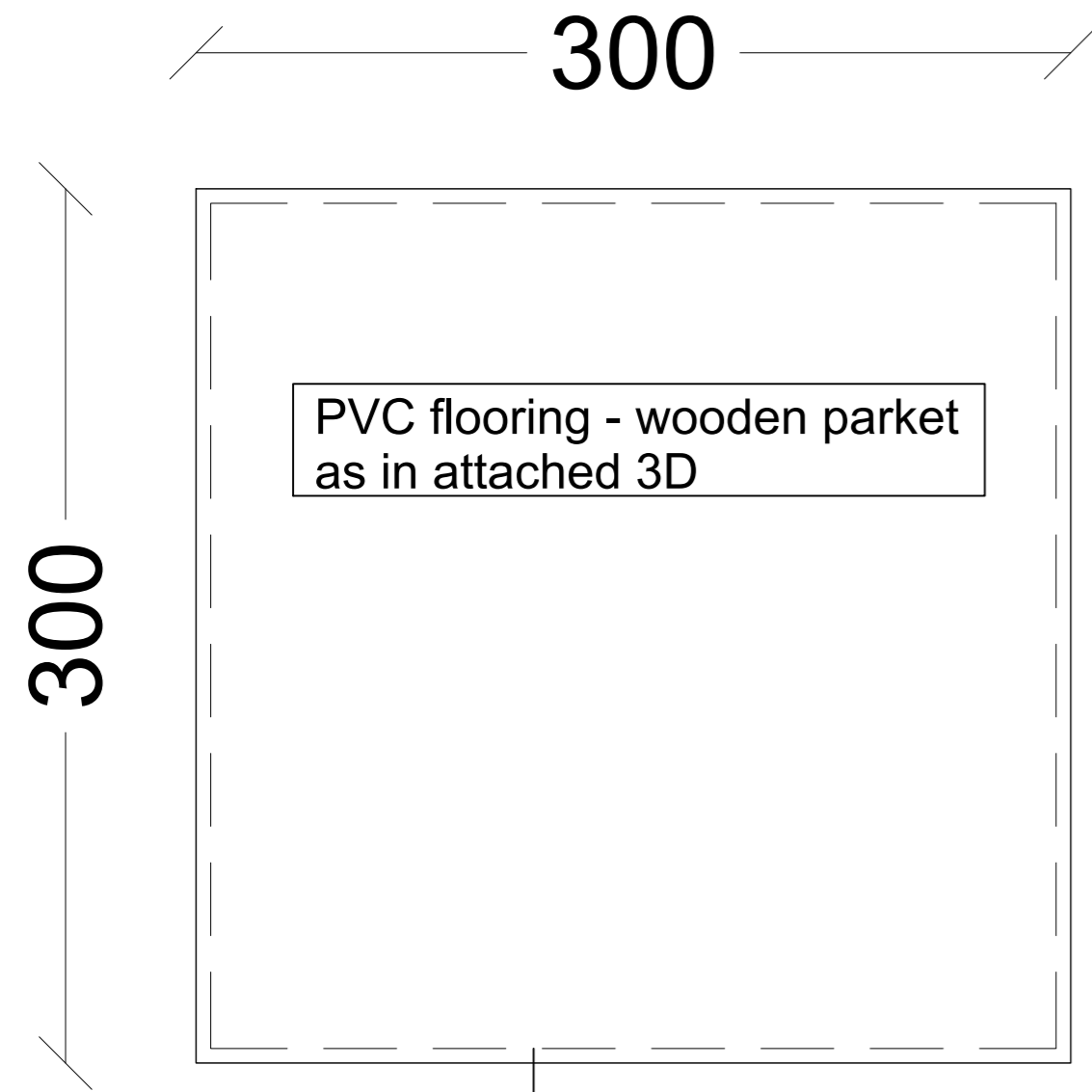
Shk Maktoum & Shk Rashid Hall

WORLD FOOD

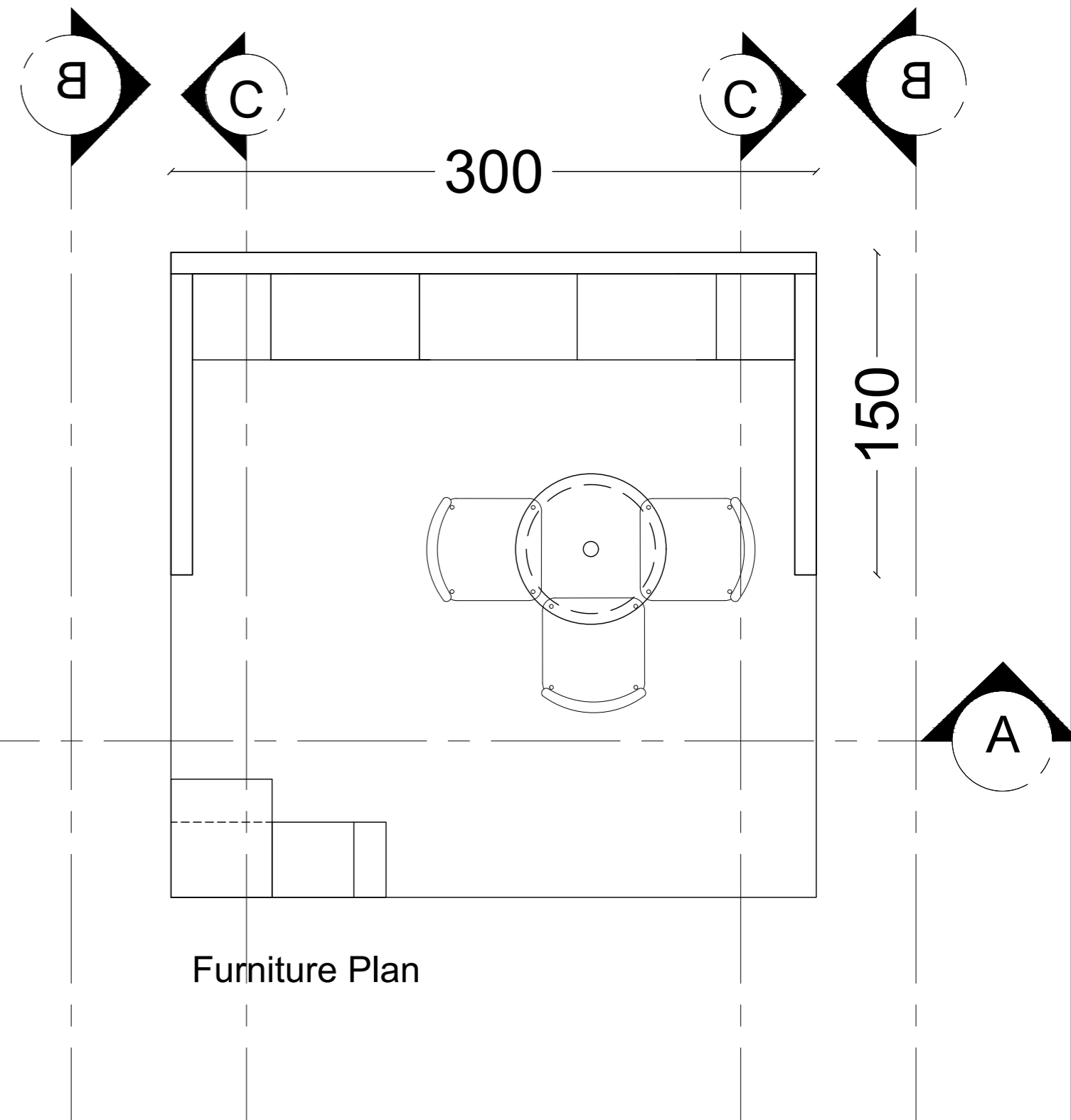
WORLD FOOD



Palestine@GF25-WF
21x6+3x3=135m²



Main Partition



Furniture Plan

CONSULTANT



A.E.G

Design, Construction Management,
Urban Planning & Restoration
925

Tel: 2777114, Fax: 2777115
Info@aeg-eng.com

PROJECT NAME

Palestinian Pavilion at
GulFood 2025
Dubai

OWNER :

Palrade

DRAWING NAME

Details

DESIGNED BY:
Arch. Lisa Muallem

CHECKED BY:
Eng. Negib Nasser

SCALE
1:25

DRAWN BY:
Arch. Lisa Muallem

APPROVED BY:
Eng. Negib Nasser

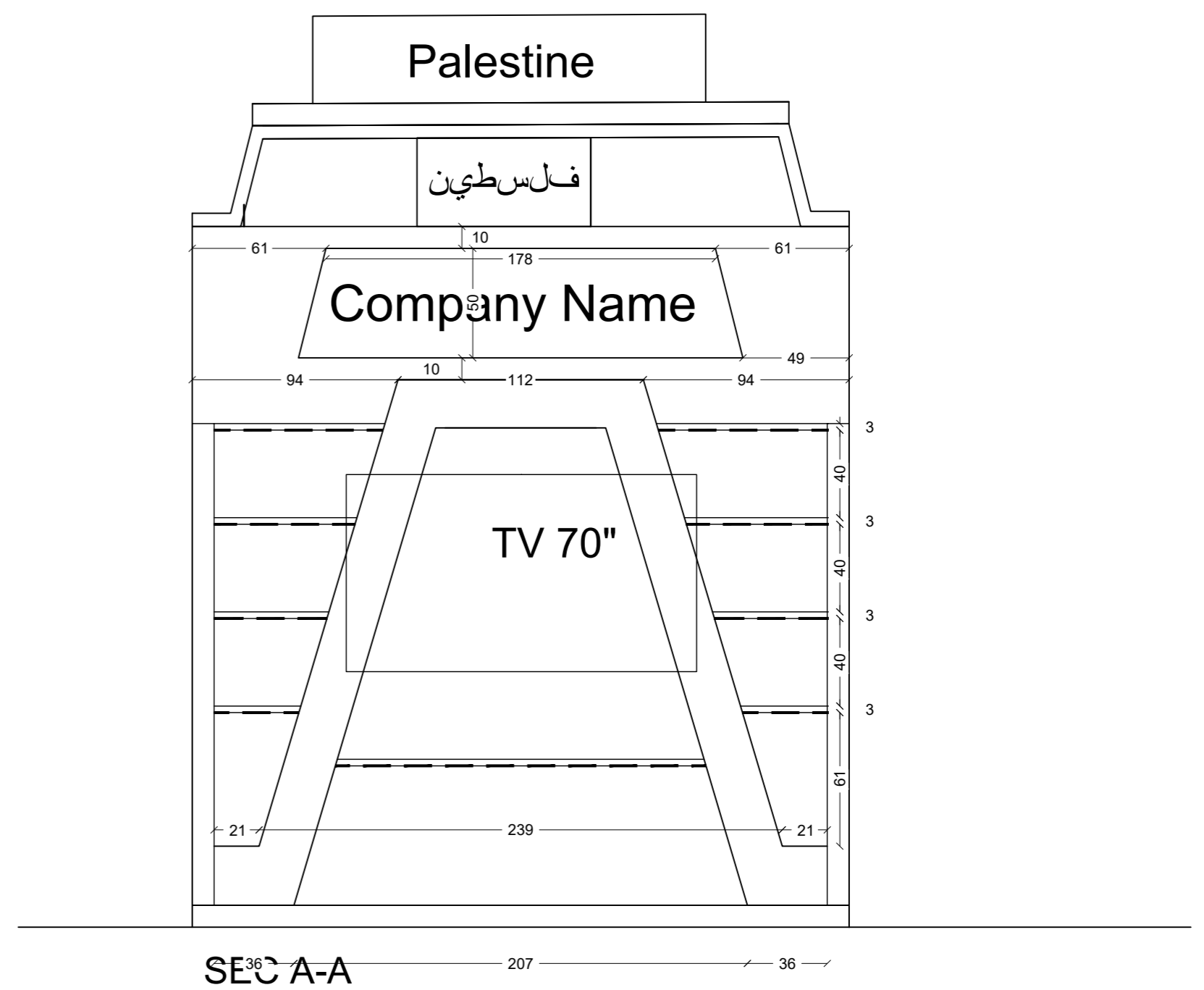
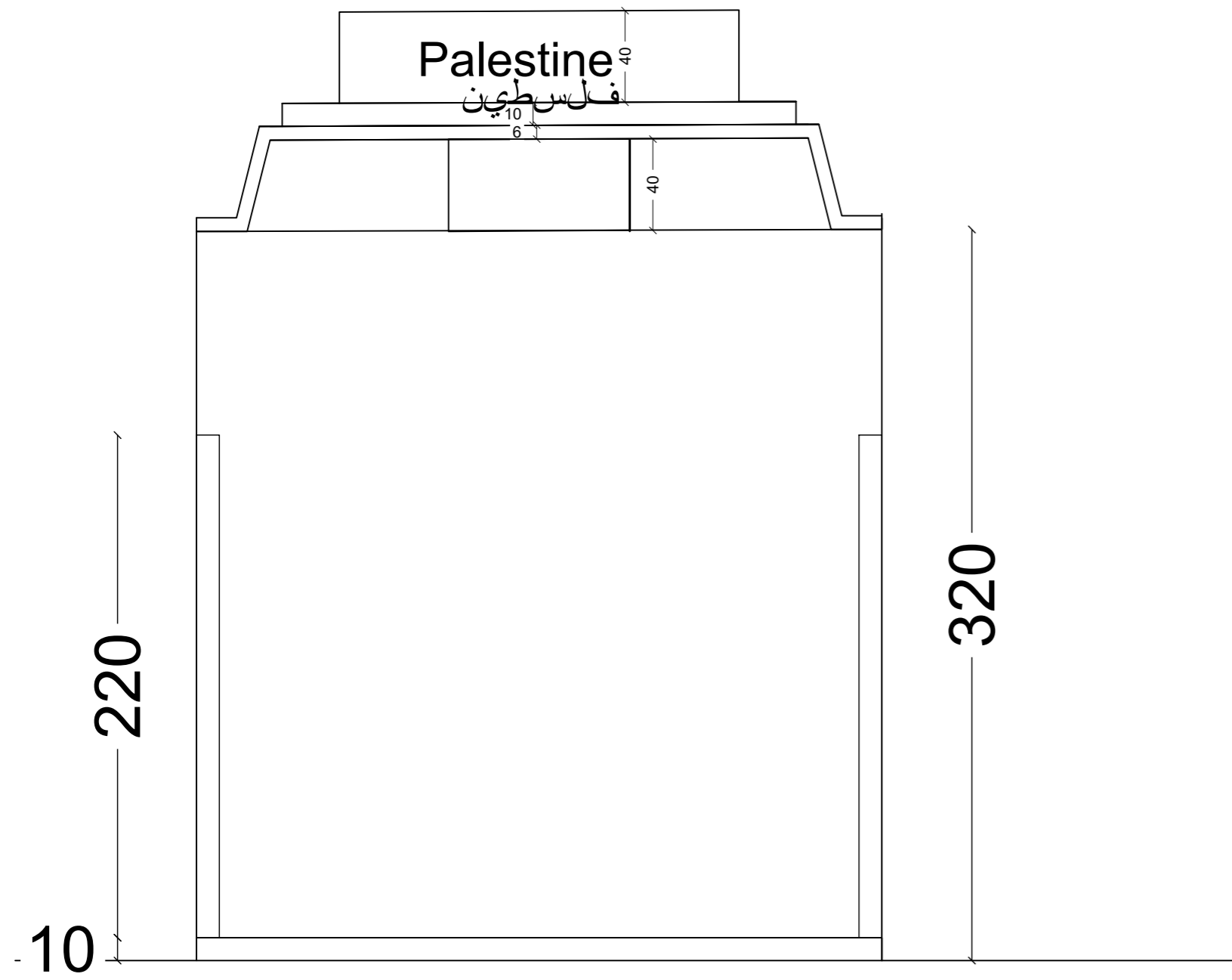
DATE


DRAWING NO.

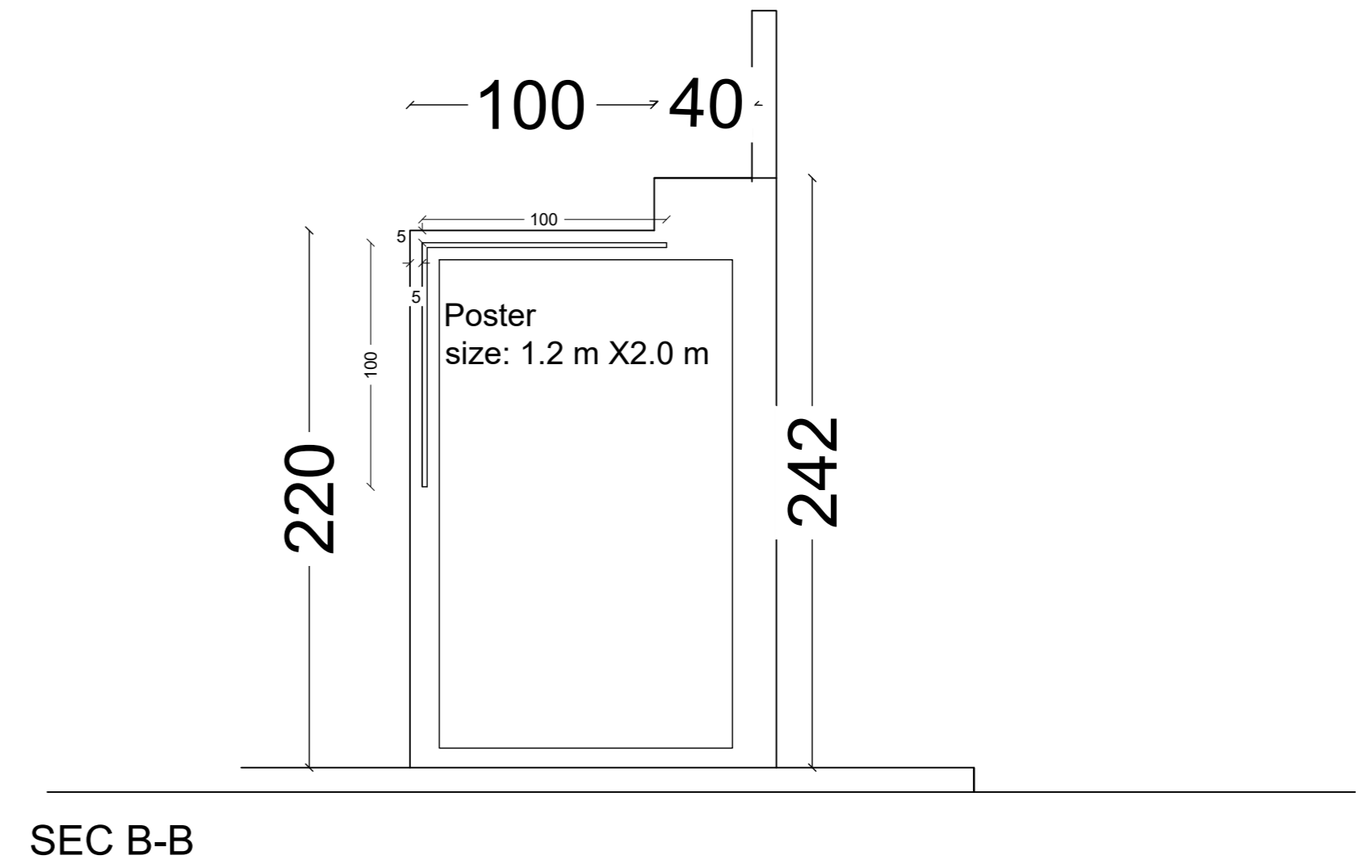
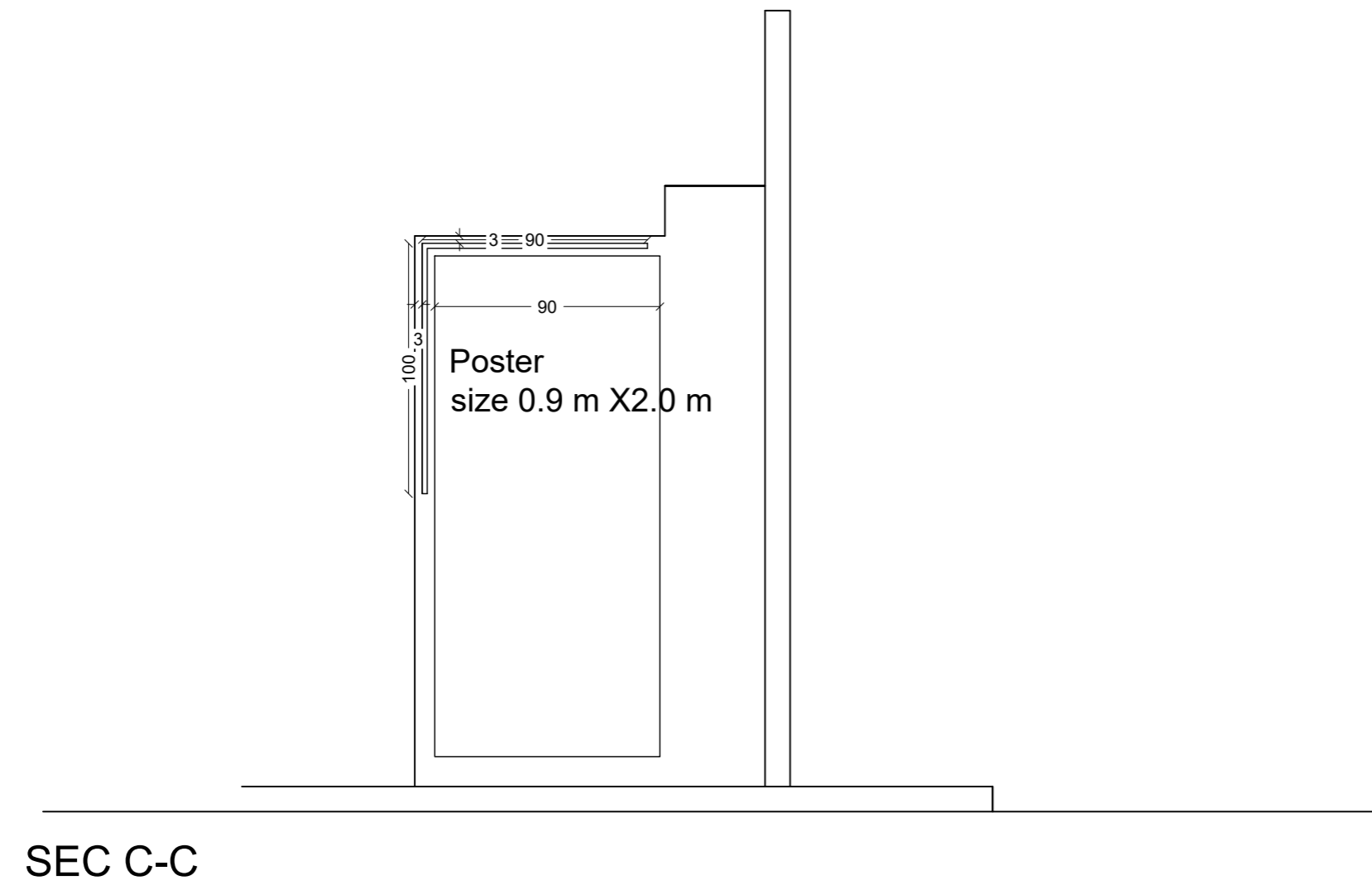
A16


REVISION SUFFIX

Notes:



CONSULTANT  A.E.G Design, Construction Management, Urban Planning & Restoration 925 Tel: 2777114, Fax: 2777115 Info@aeg-eng.com	PROJECT NAME Palestinian Pavilion at GulFood 2025 Dubai	OWNER : Palrade	DRAWING NAME Details	DESIGNED BY: Arch. Lisa Muallem	DRAWN BY: Arch. Lisa Muallem	DRAWING NO. A17	Notes:
				CHECKED BY: Eng. Negib Nasser	APPROVED BY: Eng. Negib Nasser		
				SCALE 1:25	DATE	REVISION SUFFIX	

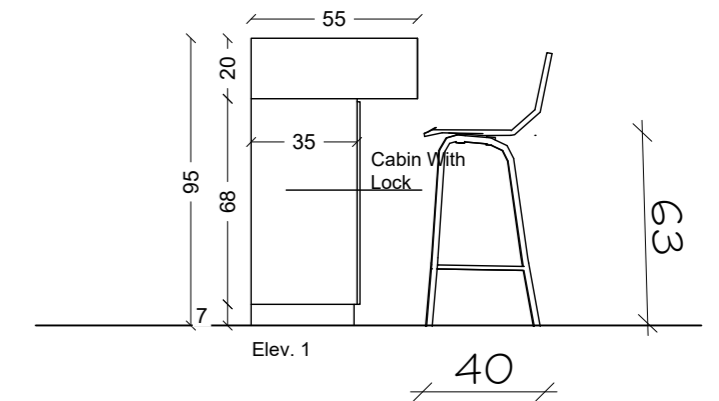
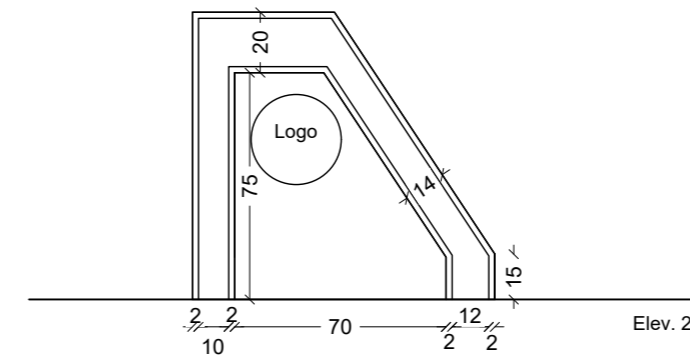
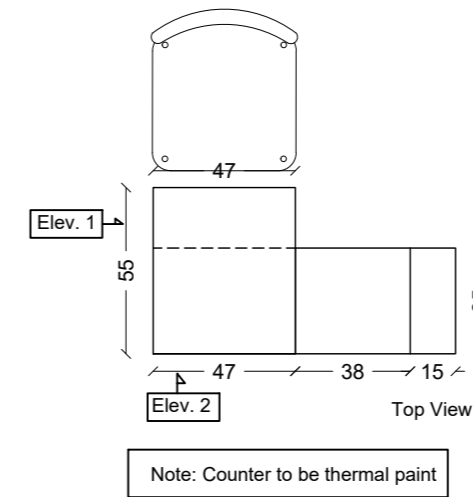


CONSULTANT  A.E.G Design, Construction Management, Urban Planning & Restoration 925 Tel: 2777114, Fax: 2777115 Info@aeg-eng.com	PROJECT NAME Palestinian Pavilion at GulFood 2025 Dubai	OWNER : Palrade	DRAWING NAME Details	DESIGNED BY: Arch. Lisa Muallem	DRAWN BY: Arch. Lisa Muallem	DRAWING NO. A18	Notes:
				CHECKED BY: Eng. Negib Nasser	APPROVED BY: Eng. Negib Nasser		
				SCALE 1:25	DATE	REVISION SUFFIX	

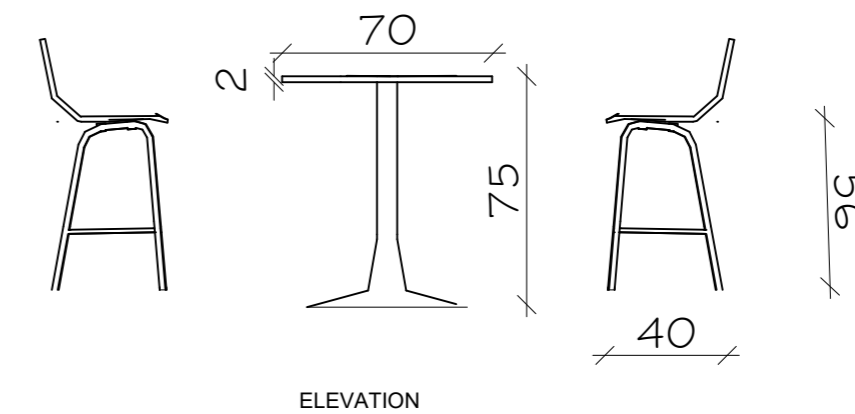
List of Furniture (stand 1)


	Item	No.	Explanatory Photo
1	Round Tables	1	
2	Chairs	3	
3	Counters	1	
4	High Chairs	1	
5	Catalogue Holder	1	
6	Flower vase on Counter	1	Similar to 3D
7	Trash cans	1	
8	TV 70"	1	

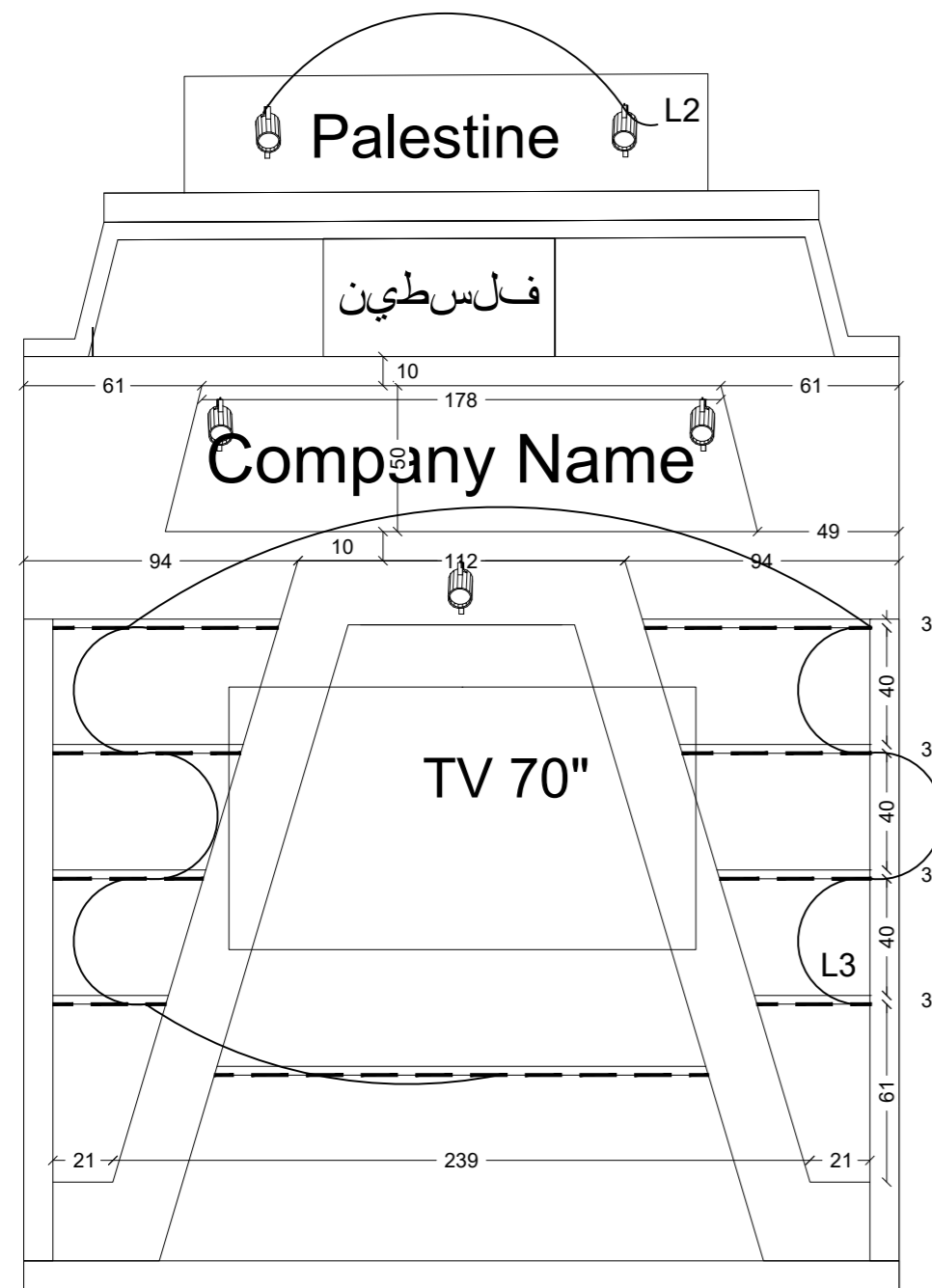
Counter Detail



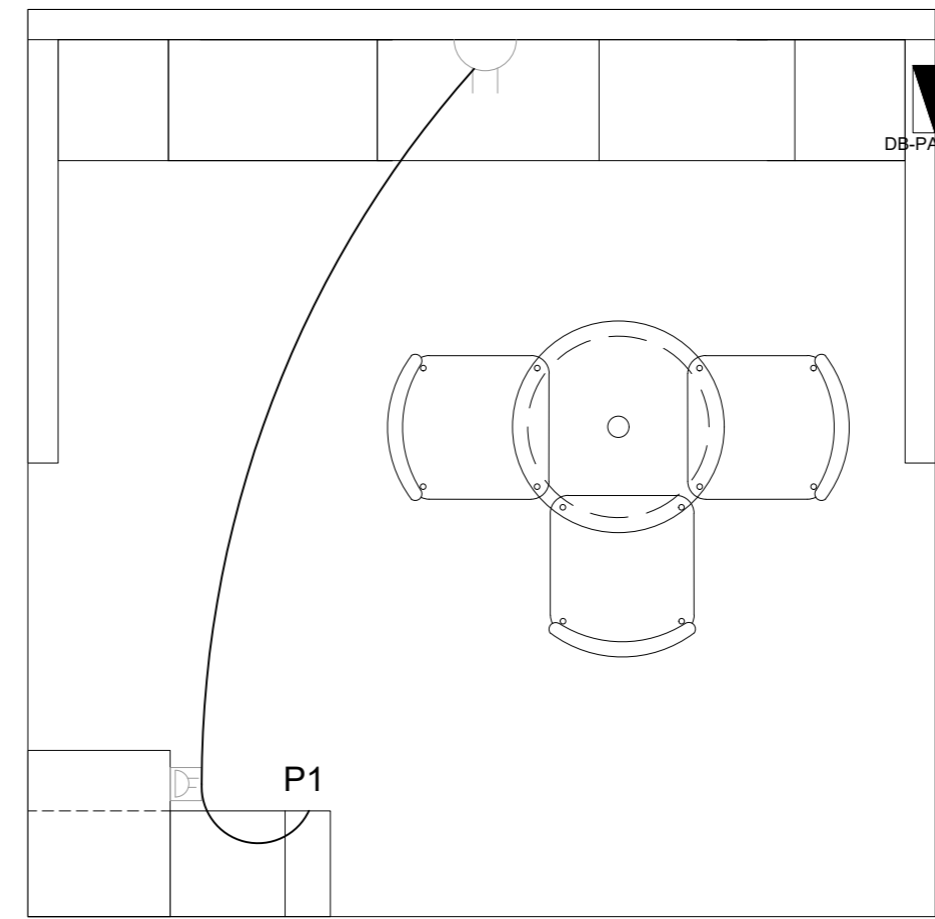
- NUMBER OF Counters :1
- NUMBER OF HIGH CHAIRS : 1



CONSULTANT  Design, Construction Management, Urban Planning & Restoration 925 Tel: 2777114, Fax: 2777115 Info@aeg-eng.com	PROJECT NAME Palestinian Pavilion at GulFood 2025 Dubai	OWNER : Palrade	DRAWING NAME Details	DESIGNED BY: Arch. Lisa Muallem	DRAWN BY: Arch. Lisa Muallem	DRAWING NO. A19	Notes:
				CHECKED BY: Eng. Negib Nasser	APPROVED BY: Eng. Negib Nasser		
				SCALE 1:25	DATE	REVISION SUFFIX	

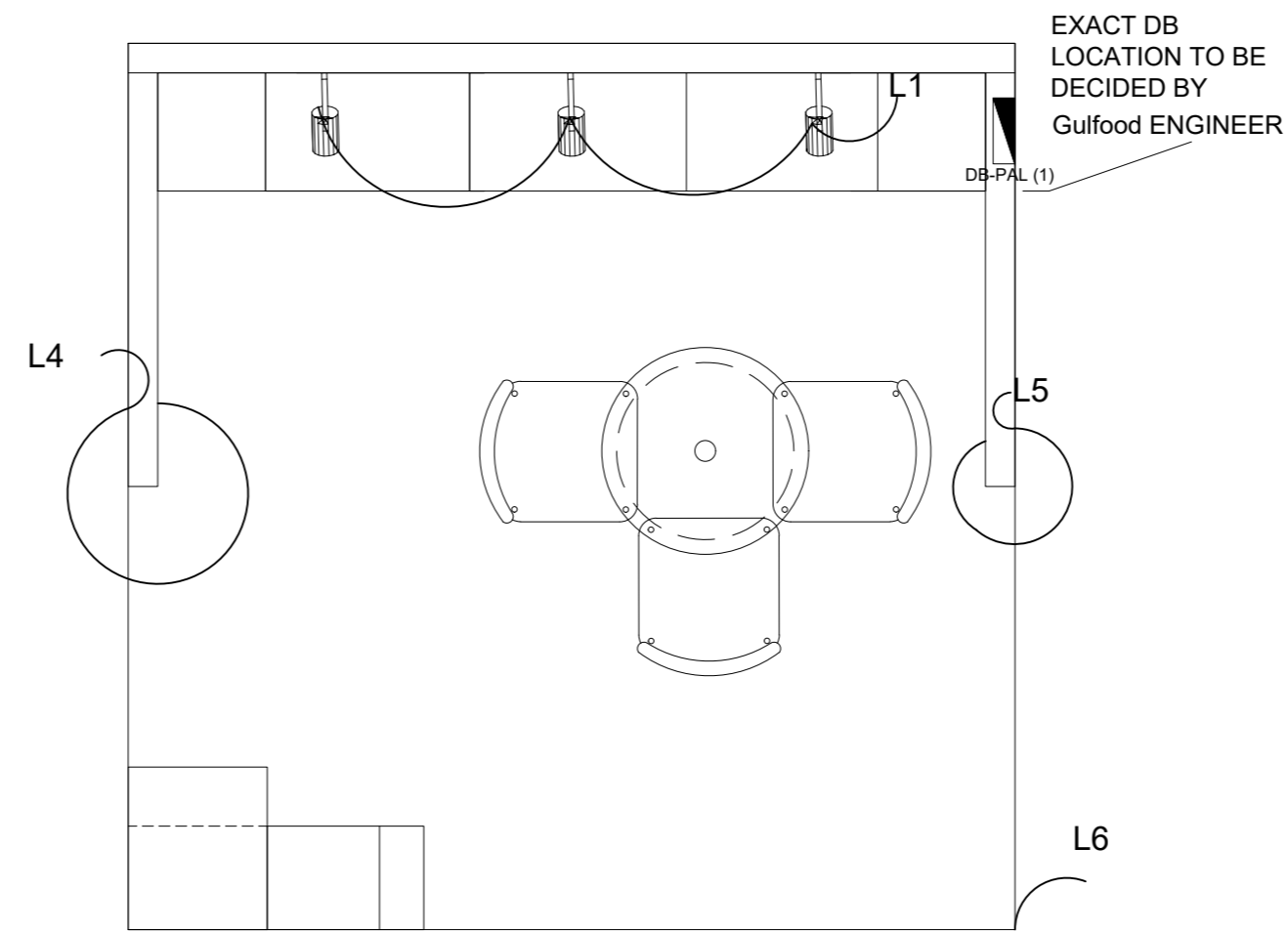


SEC A-A 207 36



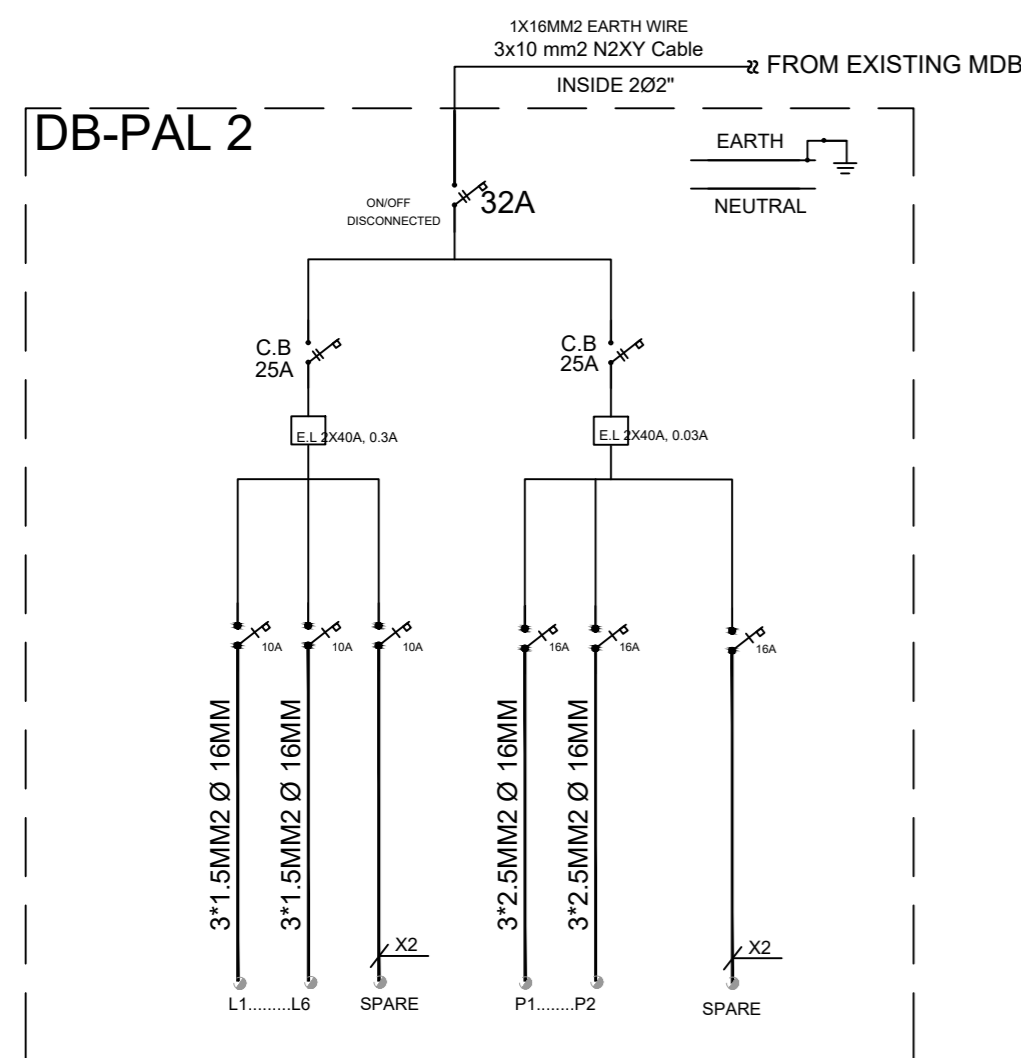
Furniture Plan

Type	No.
13A DOUBLE POWER SOCKET For TV	1
13A DOUBLE POWER SOCKET INSIDE THE WOODEN CABINET	1



Furniture Plan

Type	QTY.
Projector Light	5
Linear Light in wood around posters	8 m
Led below shelves	9 m
Led strip around platform	12 m



CONSULTANT

A.E.G
 Design, Construction Management,
 Urban Planning & Restoration
 925
 Tel: 2777114, Fax: 2777115
 Info@aeg-eng.com

PROJECT NAME
 Palestinian Pavilion at
 GulFood 2025
 Dubai

OWNER :
 Palrade

DRAWING NAME
 electrical

DESIGNED BY:
 Arch. Lisa Muallem

CHECKED BY:
 Eng. Negib Nasser

SCALE
 1:25

DRAWN BY:
 Arch. Lisa Muallem

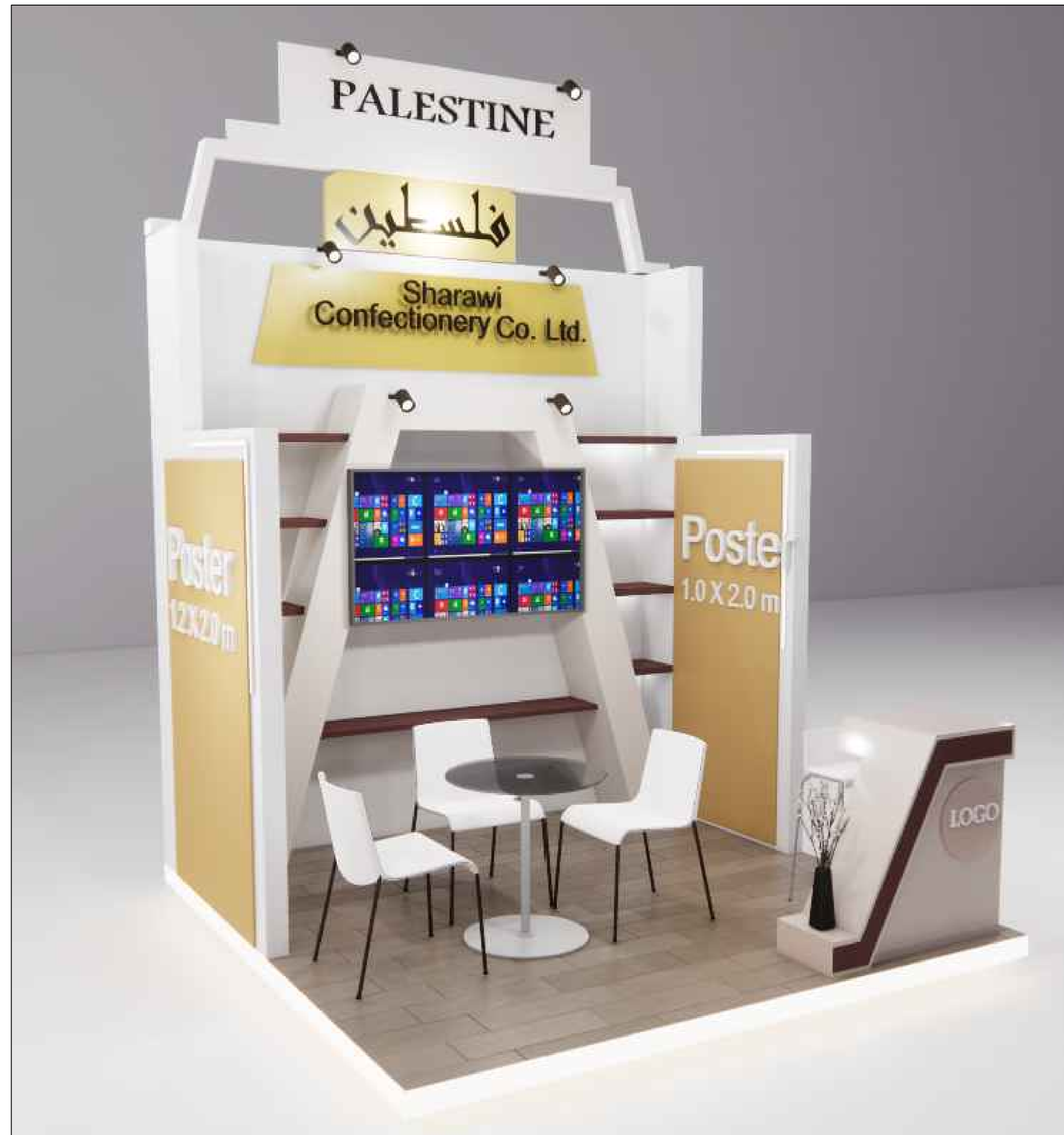
APPROVED BY:
 Eng. Negib Nasser

DATE

DRAWING NO.
 A20

REVISION SUFFIX

Notes:



CONSULTANT
A.E.G
 Design, Construction Management,
 Urban Planning & Restoration
 925
 Tel: 2777114, Fax: 2777115
 Info@aeg-eng.com

PROJECT NAME
 Palestinian Pavilion at
 GulFood 2025
 Dubai

OWNER :
 Palrade

DRAWING NAME
 3D

DESIGNED BY:
 Arch. Lisa Muallem

CHECKED BY:
 Eng. Negib Nasser

SCALE
 1:25

DRAWN BY:
 Arch. Lisa Muallem

APPROVED BY:
 Eng. Negib Nasser

DATE

DRAWING NO.
 A21

REVISION SUFFIX			

Notes:



CONSULTANT
 **A.E.G**
 Design, Construction Management,
 Urban Planning & Restoration
 925
 Tel: 2777114, Fax: 2777115
 Info@aeg-eng.com

PROJECT NAME
 Palestinian Pavilion at
 GulFood 2025
 Dubai

OWNER :
 Palrade

DRAWING NAME
 3D

DESIGNED BY:
 Arch. Lisa Muallem

CHECKED BY:
 Eng. Negib Nasser

SCALE
 1:25

DRAWN BY:
 Arch. Lisa Muallem

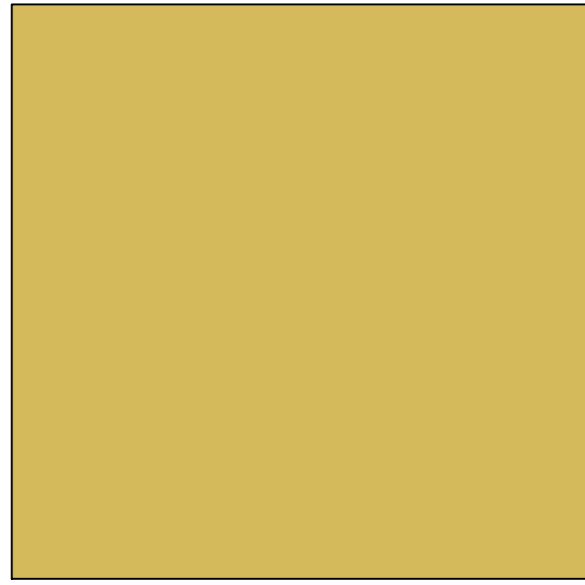
APPROVED BY:
 Eng. Negib Nasser

DATE

DRAWING NO.
 A22

REVISION SUFFIX

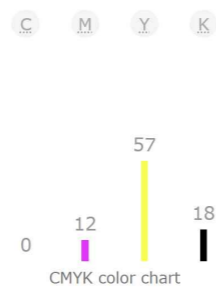
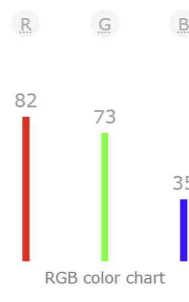
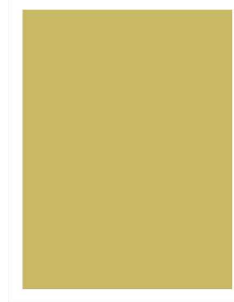
Notes:



Yellow : below company names

#d2b95a Color Information

In a RGB color space, hex #d2b95a is composed of 82.4% red, 72.5% green and 35.3% blue. Whereas in a CMYK color space, it is composed of 0% cyan, 11.9% magenta, 57.1% yellow and 17.6% black. It has a hue angle of 47.5 degrees, a saturation of 57.1% and a lightness of 58.8%. #d2b95a color hex could be obtained by blending #ffffb4 with #a57300. Closest websafe color is: #cccc66.



• #d2b95a color description : **Moderate yellow.**

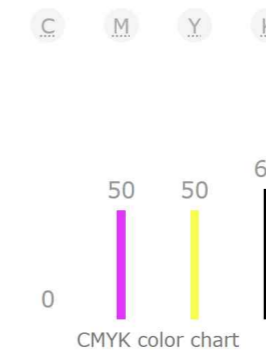
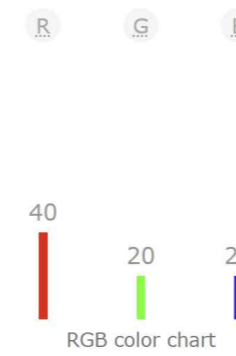


brown:shelves and at counters as per 3D

#663333 Color Information

Information Conversion Schemes Alternatives Preview Shades and Tints Tones Blindness Simulator

In a RGB color space, hex #663333 is composed of 40% red, 20% green and 20% blue. Whereas in a CMYK color space, it is composed of 0% cyan, 50% magenta, 50% yellow and 60% black. It has a hue angle of 0 degrees, a saturation of 33.3% and a lightness of 30%. #663333 color hex could be obtained by blending #cc6666 with #000000. #663333 (or #633) is a websafe color.

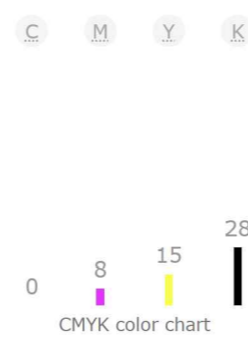
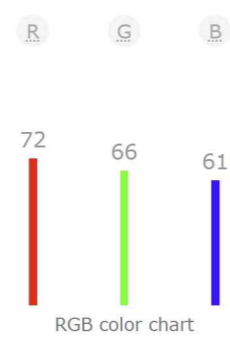


• #663333 color description : **Very dark desaturated red.**



#b8a99c Color Information

In a RGB color space, hex #b8a99c is composed of 72.2% red, 66.3% green and 61.2% blue. Whereas in a CMYK color space, it is composed of 0% cyan, 8.2% magenta, 15.2% yellow and 27.8% black. It has a hue angle of 27.9 degrees, a saturation of 16.5% and a lightness of 66.7%. #b8a99c color hex could be obtained by blending #ffffff with #715339. Closest websafe color is: #cc9999.



• #b8a99c color description : **Grayish orange.**

Beige for angled structure holding shelves

CONSULTANT



Design, Construction Management,
Urban Planning & Restoration
925
Tel: 2777114, Fax: 2777115
Info@aeg-eng.com

PROJECT NAME

Palestinian Pavilion at
GulFood 2025
Dubai

OWNER :

Palrade

DRAWING NAME

COLOR
SPECIFICATIONS

DESIGNED BY:
Arch. Lisa Muallem

CHECKED BY:
Eng. Negib Nasser

SCALE
1:25

DRAWN BY:
Arch. Lisa Muallem

APPROVED BY:
Eng. Negib Nasser

DATE

DRAWING NO.

A23

REVISION SUFFIX

Notes: